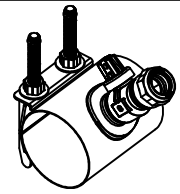


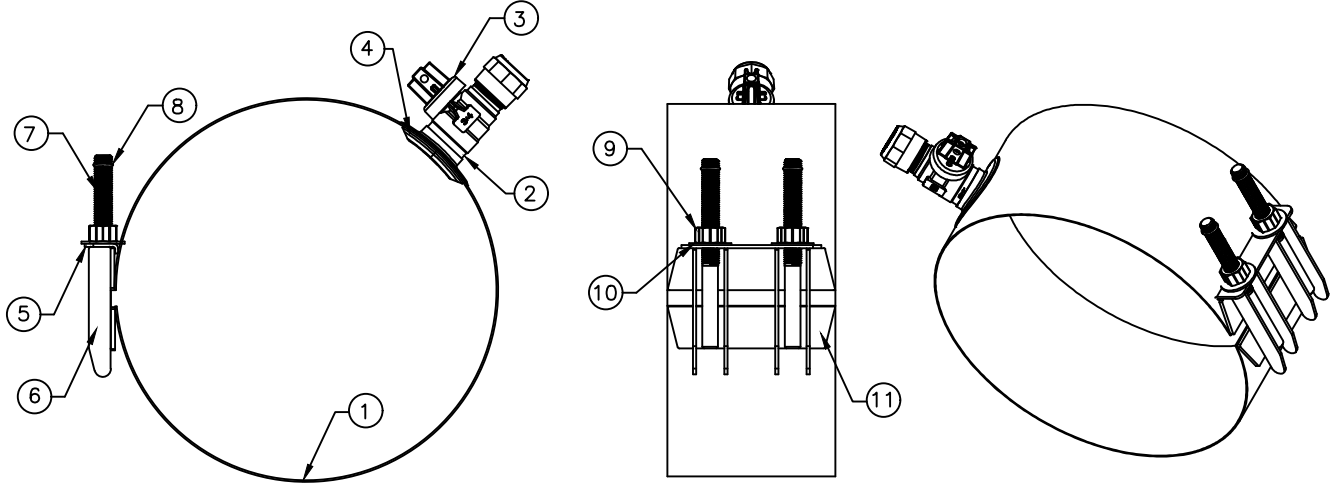
Cambridge Brass
P.O. Box 249
140 Orion Place
Cambridge, Ontario
Canada N1R 5V1
Tel: (519) 621-5520
Fax: (519) 621-8674
http://www.cambridgebrass.com



MODEL NO. 8413

SADDLE X CB COMPRESSION (H)

TECK™ 403 STAINLESS
SADDLE W/INTEGRAL VALVE



PARTS AND MATERIAL:

1. SADDLE BODY MADE OF 18-8 TYPE 304 STAINLESS STEEL
2. WELDED TAPS MADE OF 18-8 TYPE 304 STAINLESS STEEL & FIXED TO BRASS VALVE FROM FACTORY
3. NO LEAD BRASS BALL VALVE COMPLIANT WITH NSF 61 & NSF 372
4. SADDLE GASKET IS MADE OF EPDM & MEETS STANDARDS ASTM D2000 & NSF 61
5. LIFTER BAR MADE OF 18-8 TYPE 304 STAINLESS STEEL
6. FINGER BRACKET MADE OF 18-8 TYPE 304 STAINLESS STEEL
7. STUDS MADE OF 18-8 TYPE STAINLESS STEEL, 5/8" ROLL NC THREAD
8. RETENTION GROMMETS TO ENSURE NUTS REMAIN ON THE STUDS
9. 5/8-11 STAINLESS STEEL HEAVY HEX, COATED NUTS TO PREVENT GALLING
10. WASHERS MADE OF 18-8 TYPE 304 STAINLESS STEEL
11. SIDE BARS MADE OF 18-8 TYPE 304 STAINLESS STEEL

FEATURES:

- ALL SADDLE COMPONENTS ARE MADE OF 18-8 TYPE STAINLESS STEEL
- FULLY PASSIVATED FOR CORROSION RESISTANCE
- LIFTER BAR DESIGN - NO LOOSE PARTS FOR ASSEMBLY
- SADDLE SIZE IS CLEARLY MARKED ON THE SIDE OF EACH SADDLE
- SIZES FROM 4" TO 12" NOMINAL SIZING IS ONE PIECE DESIGN, ADDITIONAL SIZES AVAILABLE
- EPDM IS STANDARD RUBBER MATERIAL, NBR IS AVAILABLE UPON REQUEST
- RING GASKET AND PAD GASKET OPTIONS ARE AVAILABLE UPON REQUEST
- RECOMMENDED SADDLE BOLT TORQUE ~ 60 FT/LBS
- ALL BRASS VALVE COMPONENTS CONFORM TO AWWA STANDARD C800 (ASTM B-584 UNS NO C89833 FOR ALL BRASS PARTS IN CONTACT WITH POTABLE WATER, AND ASTM B-62 AND ASTM B-584 UNS NO C83600 FOR ALL OTHER BRASS PARTS).
- CONFORMS TO ANSI/NSF 372 (COMPLIANT WITH US Safe Drinking Water Act. PL 111-380)
- CONFORMS TO ANSI/NSF STANDARD 61-8.
- ENCAPSULATED LUGS UNDER CAP PROVIDE 90 DEGREE OPEN TO CLOSE OPERATION.
- BLOWOUT PROOF STEM DESIGN.
- RATED FOR 250 PSI WORKING PRESSURE

ORDERING INFORMATION:

FULL 360 ROTATION = ADD "R" TO END OF CATALOG NO.
EPDM PAD GASKET = ADD "PG" TO END OF CATALOG NUMBER

NBR RING GASKET = ADD "N" TO END OF CATALOG NUMBER
NBR PAD GASKET = ADD "NPG" TO END OF CATALOG NUMBER

Cambridge Brass considers the information in this submittal form to be correct at the time of publication.
Item and option availability, including specifications, are subject to change without notice.

CATALOG NUMBER	OUTLET VALVE SIZE	STAINLESS BAND WIDTH	DIAMETER 4" PIPE	DIAMETER 6-8" PIPE	DIAMETER 10"-12" PIPE
8413NL-DIAMETER-H3	3/4"	6" WIDE	20 GAUGE	20 GAUGE	18 GAUGE
8413NL-DIAMETER-H4	1"	8" WIDE	20 GAUGE	18 GAUGE	18 GAUGE

SUBMITTED BY: