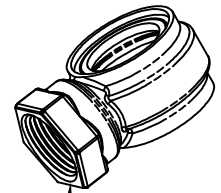
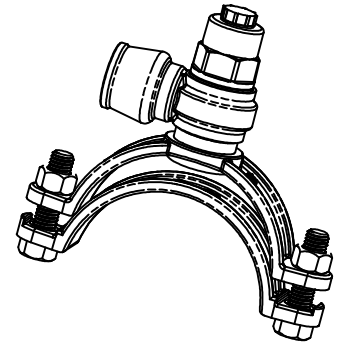
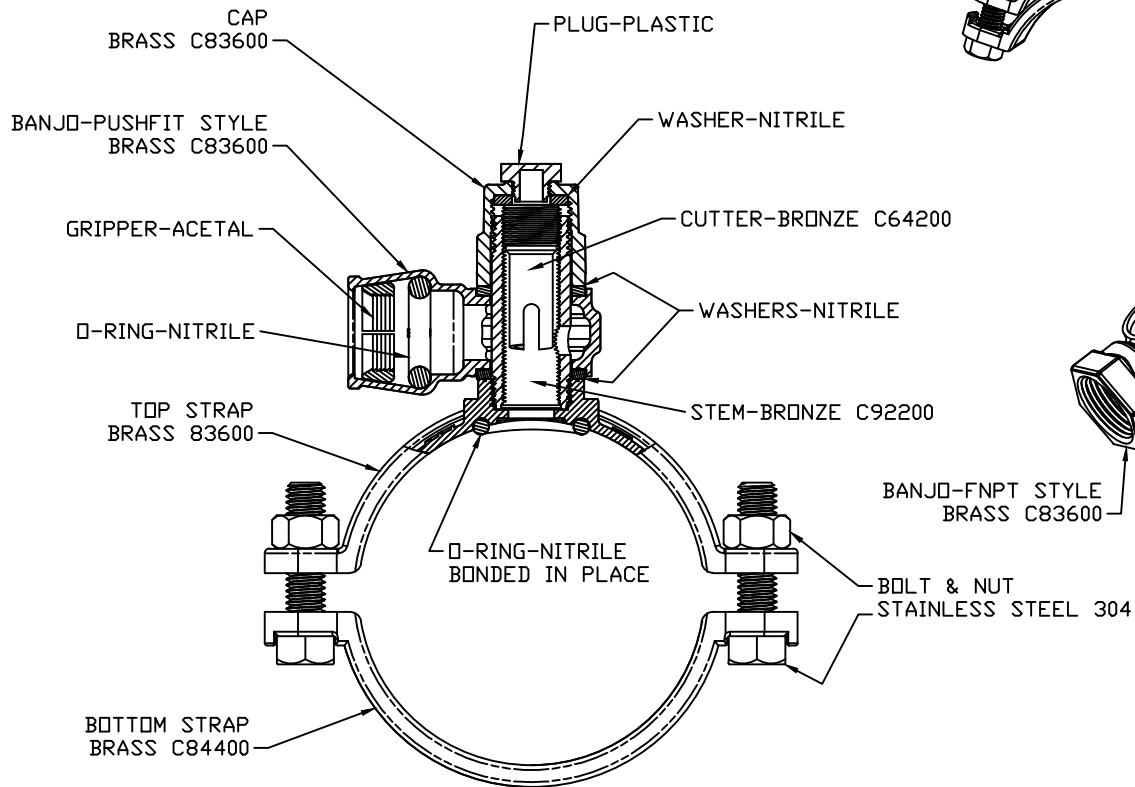


SUBMITTAL INFORMATION

FERRULE STRAP SADDLE – SERIES 830



MAIN SIZE NOMINAL O.D.	MAIN PIPE O.D. RANGE	SERVICE LINE SIZE CONNECTION STYLE	SERVICE LINE O.D. RANGE	PRODUCT NUMBER	APPROX. WT. LBS.	SUBMITTED ITEM(S)
4" IPS 4.50"	4.33" – 4.64" (110mm–118mm)	1/2" PUSHFIT	.835"–.846" (21.2mm–21.5mm)	830–0450–PF1	3.9	
		25mm PUSHFIT	.984"–.996" (25.0mm–25.3mm)	830–0450–PF25	3.9	
		3/4" PUSHFIT	1.046"–1.059" (26.6mm–26.9mm)	830–0450–PF3	3.9	
		1" PUSHFIT	1.310"–1.327" (33.3mm–33.7mm)	830–0450–PF4	4.9	
		1/2" FNPT		830–0450–F1	3.9	
		3/4" FNPT		830–0450–F3	3.9	
		1" FNPT		830–0450–F4	4.9	
6" IPS 6.63"	6.50" – 6.81" (165mm–173mm)	25mm PUSHFIT	.984"–.996" (25.0mm–25.3mm)	830–0663–PF25	4.3	
		3/4" PUSHFIT	1.046"–1.059" (26.6mm–26.9mm)	830–0663–PF3	4.3	
		1" PUSHFIT	1.310"–1.327" (33.3mm–33.7mm)	830–0663–PF4	5.3	
		3/4" FNPT		830–0663–F3	4.3	
		1" FNPT		830–0663–F4	5.3	
8" IPS 8.63"	8.54" – 8.86" (217mm–225mm)	25mm PUSHFIT	.984"–.996" (25.0mm–25.3mm)	830–0863–PF25	4.6	
		3/4" PUSHFIT	1.046"–1.059" (26.6mm–26.9mm)	830–0863–PF3	4.6	
		1" PUSHFIT	1.310"–1.327" (33.3mm–33.7mm)	830–0863–PF4	5.6	
		3/4" FNPT		830–0863–F3	4.6	
		1" FNPT		830–0863–F4	5.6	

Cambridge Brass considers the information in this submittal form to be correct at the time of publication. Item and option availability, including specifications, are subject to change without notice.

Cambridge Brass
 P.O. Box 249, 140 Orion Place
 Cambridge, Ontario
 Canada N1R 5V1
 Tel: (519) 621-5520
 Fax: (519) 621-8674
<http://www.cambridgebrass.com>



SUBMITTED BY: