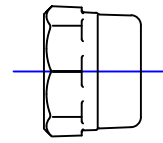


Cambridge Brass  
P.O. Box 249  
140 Orion Place  
Cambridge, Ontario  
Canada N1R 5V1  
Tel: (519) 621-5520  
Fax: (519) 621-8674  
<http://www.cambridgebrass.com>

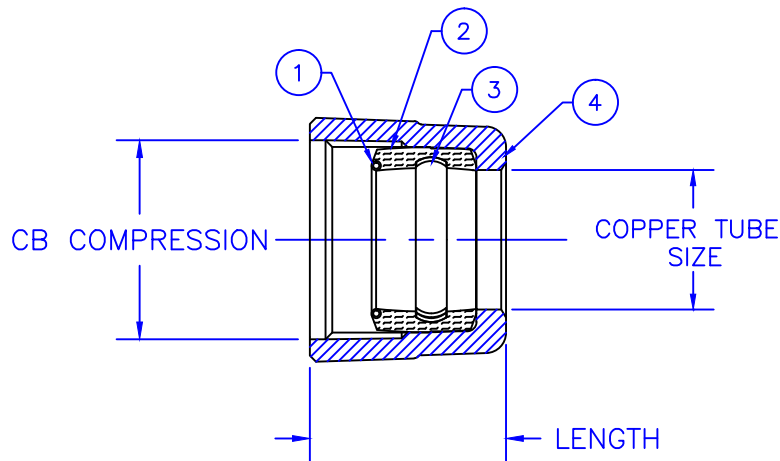


MODEL NO. 81

CB COMPRESSION

CB COMPRESSION  
NUT ASSEMBLY

FOR COPPER OR PLASTIC TUBE (CTS)



PARTS AND MATERIAL:

- 1. CONDUCTOR SPRING: BRASS
- 2. COMPRESSION SEAL: EPDM RUBBER
- 3. GRIPPER: STAINLESS STEEL, ALLOY 302
- 4. TAILNUT: CAST BRASS, ALLOY C83600

FEATURES:

- MANUFACTURED IN COMPLIANCE WITH AWWA STANDARD C800-05  
(ASTM B-62 AND ASTM B-584, UNS NO C83600-85-5-5-5).

Cambridge Brass considers the information in this submittal form to be correct at the time of publication. Item and option availability, including specifications, are subject to change without notice.

CATALOG NO.	CB COMPRESSION FOR CTS	LENGTH	APPROX. WT. LBS.
81-H3	3/4"	1.24"	0.4
81-H4	1"	1.38"	0.6
81-H5	1 1/4"	1.50"	
81-H6	1 1/2"	1.50"	0.8
81-H7	2"	1.50"	1.1

Submitted by: