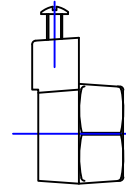


Cambridge Brass
P.O. Box 249
140 Orion Place
Cambridge, Ontario
Canada N1R 5V1
Tel: (519) 621-5520
Fax: (519) 621-8674
http://www.cambridgebrass.com

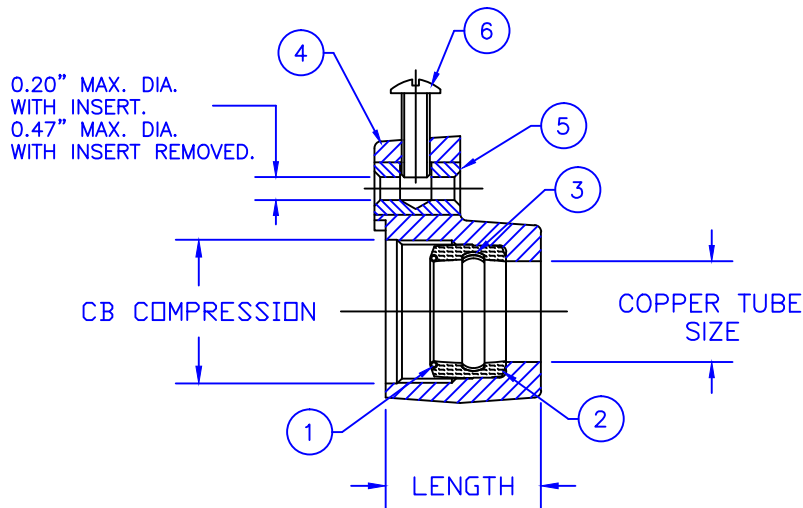


MODEL NO. 81

CB COMPRESSION ELECTRICAL

CB COMPRESSION ELECTRICAL
NUT ASSEMBLY

FOR COPPER OR PLASTIC TUBE (CTS)



PARTS AND MATERIAL:

1. CONDUCTOR SPRING: BRASS
2. COMPRESSION SEAL: EPDM RUBBER
3. GRIPPER: STAINLESS STEEL, ALLOY 302
4. TAILNUT: CAST BRASS, ALLOY C83600
5. INSERT: COPPER, ALLOY C14500
6. SCREW: SILICONE BRONZE

FEATURES:

- MANUFACTURED IN COMPLIANCE WITH AWWA STANDARD C800-05 (ASTM B-62 AND ASTM B-584, UNS NO C83600-85-5-5-5).
- BOSS FOR TRACING WIRE.

Cambridge Brass considers the information in this submittal form to be correct at the time of publication. Item and option availability, including specifications, are subject to change without notice.

CATALOG NO.	CB COMPRESSION ELECTRICAL FOR CTS	LENGTH	APPROX. WT. LBS.
81-HE3	3/4"	1.39"	0.6
81-HE4	1"	1.40"	0.7
81-HE6	1 1/2"	1.50"	1.4
81-HE7	2"	1.63"	1.7

Submitted by: