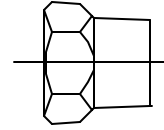


Cambridge Brass
P.O. Box 249
140 Orion Place
Cambridge, Ontario
Canada N1R 5V1
Tel: (519) 621-5520
Fax: (519) 621-8674
http://www.cambridgebrass.com

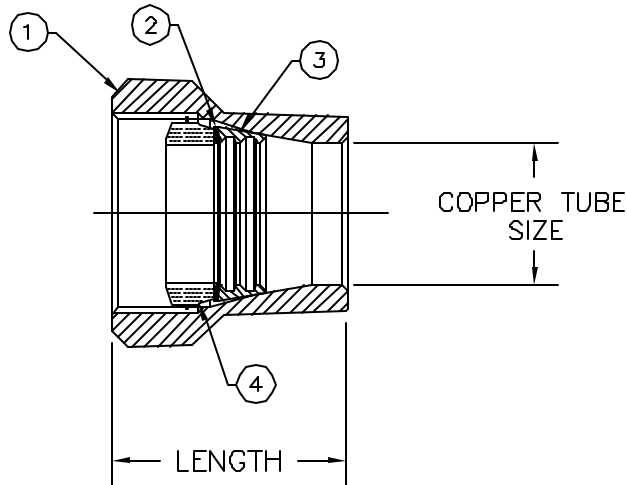


MODEL NO. 81

GRIP JOINT

GRIP JOINT
NUT ASSEMBLY

FOR COPPER OR PLASTIC TUBE (CTS)



- PARTS AND MATERIAL:
1. NUT: CAST BRASS, ALLOY C83600
2. WASHER: POLYETHYLENE
3. GRIPPER: BRASS, ALLOY C26000
4. GASKET: NITRILE RUBBER

FEATURES:
MANUFACTURED IN COMPLIANCE WITH AWWA STANDARD C800.

Cambridge Brass considers the information in this submittal form to be correct at the time of publication. Item and option availability, including specifications, are subject to change without notice.

CATALOG NO.	GRIP JOINT FOR CTS	LENGTH	APPROX. WT. LBS.
81-GJ3	3/4"	1.50"	0.3
81-GJ4	1"	2.13"	0.7

Submitted by: