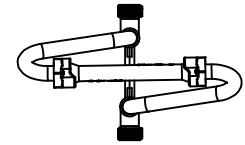


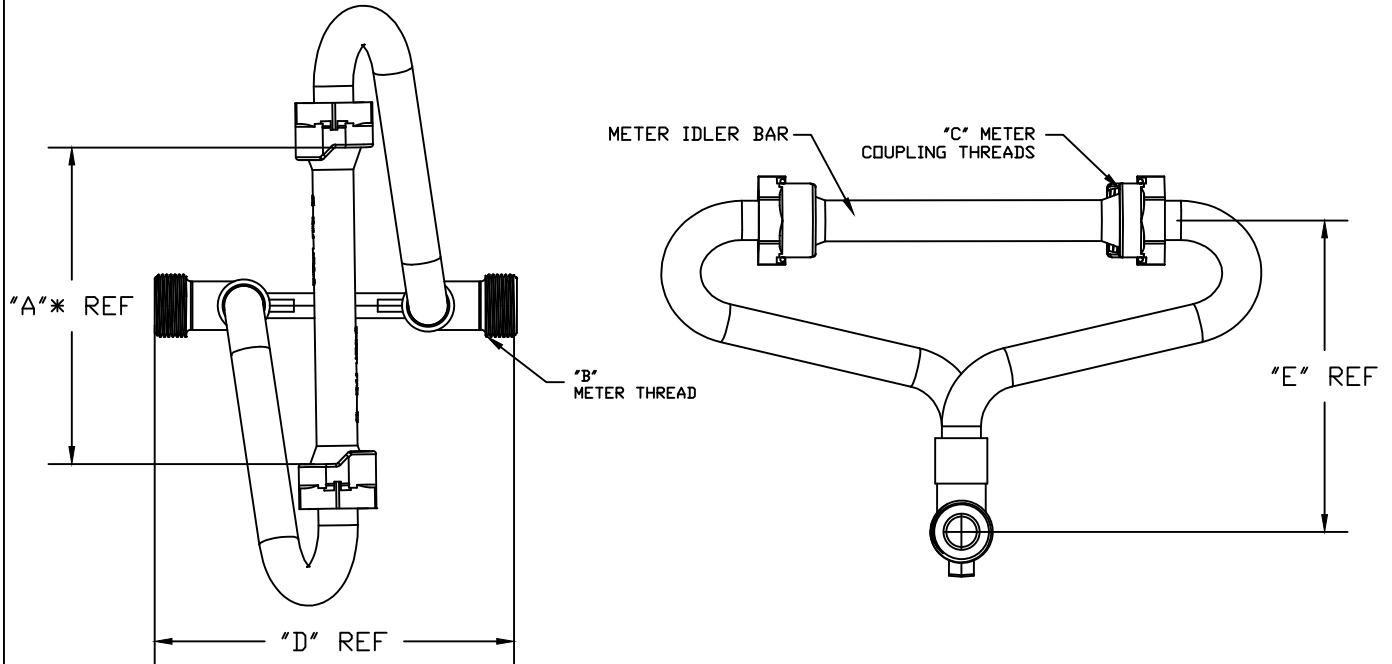
Cambridge Brass
P.O. Box 249
140 Orion Place
Cambridge, Ontario
Canada N1R 5V1
Tel: (519) 621-5520
Fax: (519) 621-8674
http://www.cambridgebrass.com



MODEL NO. 7011NL

CELLAR RESETTER
NO VALVE BY NO VALVE

NO LEAD
CELLAR RESETTER



METER SETTER CATALOG NUMBERS

* LENGTH BETWEEN METER NUTS (DIMENSION A) INCLUDES 0.320" FOR 2 GASKETS

CATALOG NUMBER	METER SIZE	"A"*	"B"	"C"	"D"	"E"	APPROX. WT. LBS.
7011NL-1N1N1	5/8"	7.82"	3/4" NPSM	3/4" NPSM	7.50"	6.45"	
7011NL-1N2N2	5/8"	7.82"	1" NPSM	3/4" NPSM	7.50"	6.45"	
7011NL-2N1N1	5/8" x 3/4"	7.82"	3/4" NPSM	1" NPSM	7.50"	6.45"	
7011NL-2N2N2	5/8" x 3/4"	7.82"	1" NPSM	1" NPSM	7.50"	6.45"	
7011NL-3N3N3	3/4"	9.32"	1" NPSM	1" NPSM	9.00"	6.69"	
7011NL-4N4N4	1"	11.06"	1 1/4" NPSM	1 1/4" NPSM	10.75"	8.85"	

FEATURES

- CONFORMS TO AWWA C800 (ASTM B584 UNS C89833 FOR ALL BRASS PARTS IN CONTACT WITH POTABLE WATER)
- CONFORMS TO ANSI/NSF 372 (COMPLIANT WITH US Safe Drinking Water Act. PL 111-380)
- SADDLE NUTS HOLD THE METER IN PLACE FOR TIGHTENING.
- 13/16" O.D. COPPER RISERS PROVIDE MORE FLOW CAPACITY.
- ASSEMBLED WITH LEAD FREE SOLDER.
- BRACING EYE IS STANDARD.
- CONSTRUCTED WITH TYPE K COPPER TUBING, ALLOY C12200 MANUFACTURED TO ASTM 88.
- FACTORY TESTED AT 90 PSI AIR PRESSURE UNDER WATER.
- POSITIONS THE METER DIRECTLY ABOVE THE CENTERLINE OF THE SERVICE.
- THREAD PROTECTORS ARE STANDARD
- METER IDLER BAR STANDARD
- FURNISHED WITH FOUR EPDM GASKETS FOR METER NUTS AND BOTTOM BAR

Cambridge Brass considers the information in this submittal form to be correct at the time of publication. Item and option availability, including specifications, are subject to change without notice.

Submitted by: