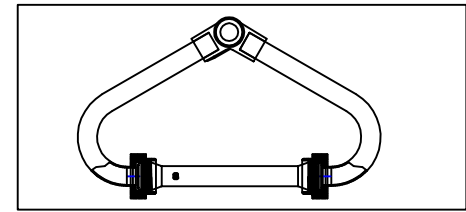


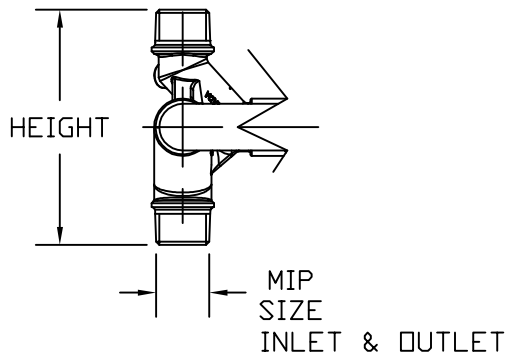
SUBMITTAL INFORMATION

CELLAR SETTER 7010NL-__M_M__

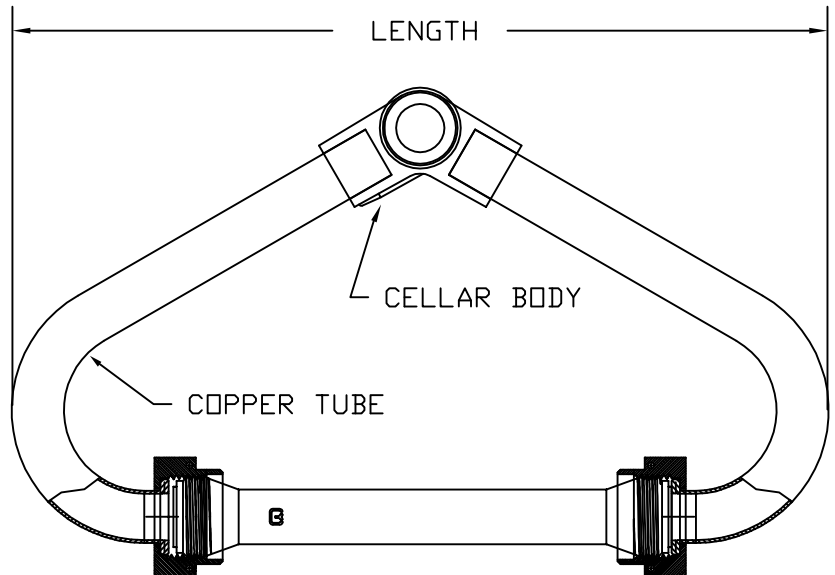


CELLAR SETTER MIP X MIP

SIDE VIEW



TOP VIEW



METER SETTER CATALOG NUMBERS

CATALOG NUMBER	METER SIZE	METER SPACING	LENGTH	HEIGHT	COPPER SIZE (O.D.)	MIP SIZE	APPROX. WT. LBS.
7010NL-1M3M3	5/8"	7 1/2"	12 3/8"	3 7/8"	13/16"	3/4"	
7010NL-2M3M3	5/8" x 3/4"	7 1/2"	12 11/16"	3 7/8"	13/16"	3/4"	
7010NL-3M3M3	3/4"	9"	14 3/16"	3 7/8"	13/16"	3/4"	

FEATURES

- MANUFACTURED IN COMPLIANCE WITH AWWA STANDARD C800 (ASTM B-584, UNS NO C89833)
- CONFORMS TO ANSI/NSF 61-8
- CONFORMS TO ANSI/NSF 372 (COMPLIANT WITH US Safe Drinking Water Act. PL 111-380)
- 300 PSI WORKING PRESSURE.
- SADDLE NUTS HOLD THE METER IN PLACE FOR TIGHTENING.
- 13/16" O.D. COPPER RISERS PROVIDE MORE FLOW CAPACITY.
- ASSEMBLED WITH LEAD FREE SOLDER.
- CONSTRUCTED WITH TYPE K COPPER TUBING, ALLOY C12200 MANUFACTURED TO ASTM 88.
- FACTORY TESTED AT 90 PSI AIR PRESSURE UNDER WATER.
- POSITIONS THE METER DIRECTLY ABOVE THE CENTERLINE OF THE SERVICE.
- THREAD PROTECTORS ARE STANDARD
- METER IDLER BAR STANDARD
- FURNISHED WITH TWO EPDM RUBBER GASKETS FOR METER NUTS

Cambridge Brass considers the information in this submittal form to be correct at the time of publication. Item and option availability, including specifications, are subject to change without notice.

Cambridge Brass
 P.O. Box 249, 140 Orion Place
 Cambridge, Ontario
 Canada N1R 5V1
 Tel: (519) 621-5520
 Fax: (519) 621-8674
<http://www.cambridgebrass.com>



REV. C - JULY 2019

SUBMITTED BY: