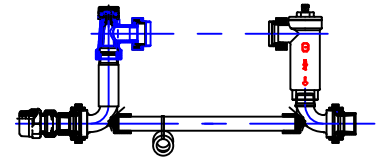


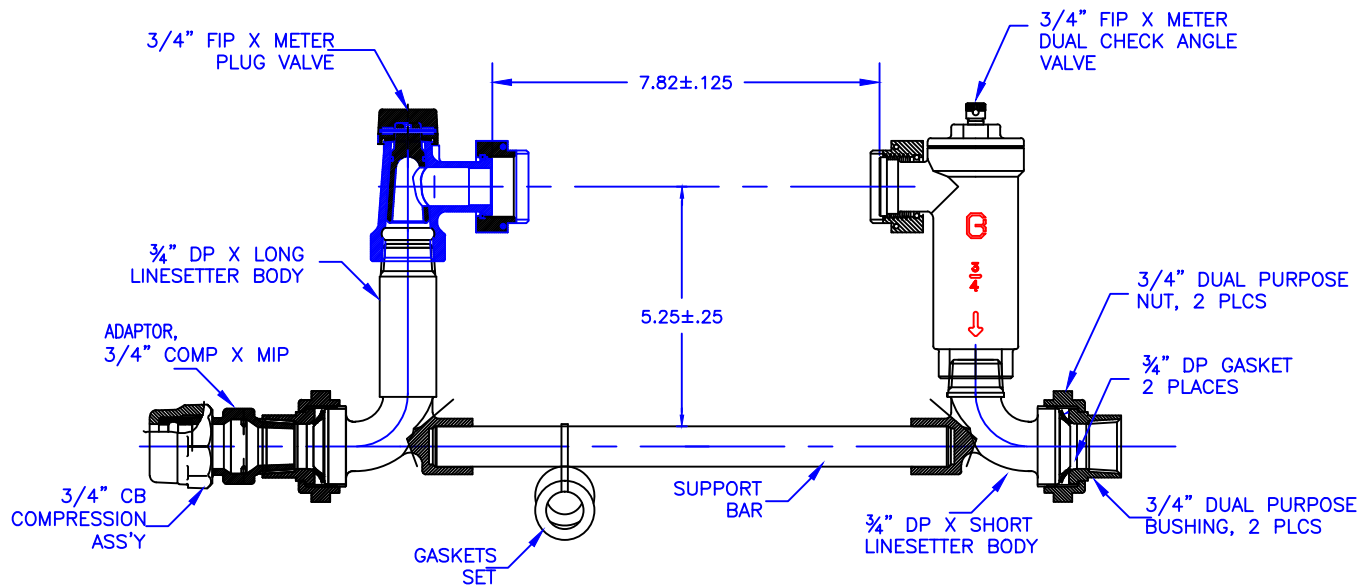
# SUBMITTAL INFORMATION

## METER SETTER 6060NL-2H3D3-APQ



3/4" FULL PORT METER PLUG VALVE INLET BY ANGLE DUAL CARTRIDGE CHECK VALVE OUTLET  
FOR 5/8" x 3/4" METER

3/4" CB COMPRESSION INLET AND DUAL PURPOSE OUTLET FOR COPPER OR PLASTIC TUBING (CTS)



### FEATURES:

- ALL COMPONENTS CONFORM TO AWWA C800-05 (ASTM B-584, UNS NO C89833 FOR BRASS PARTS IN CONTACT WITH POTABLE WATER, AND ASTM B-62 AND B-584, UNS NO C83600 FOR ALL OTHER BRASS PARTS).
- ASSEMBLED WITH LEAD-FREE SOLDER.
- SADDLE NUTS HOLD THE METER IN PLACE FOR TIGHTENING.
- METER SETTER IS SHIPPED WITH PLASTIC METER IDLER
- FURNISHED WITH TWO RUBBER GASKETS FOR METER NUTS .
- FACTORY TESTED AT 90 PSI AIR PRESSURE UNDER WATER.
- ANGLE VALVE HAS PADLOCK WINGS FOR LOCKING VALVE IN CLOSED POSITION.

Cambridge Brass considers the information in this submittal form to be correct at the time of publication. Item and option availability, including specifications, are subject to change without notice.

Cambridge Brass  
P.O. Box 249, 140 Orion Place  
Cambridge, Ontario  
Canada N1R 5V1  
Tel: (519) 621-5520  
Fax: (519) 621-8674  
<http://www.cambridgebrass.com>

**G** CAMBRIDGE  
BRASS

SUBMITTED BY: