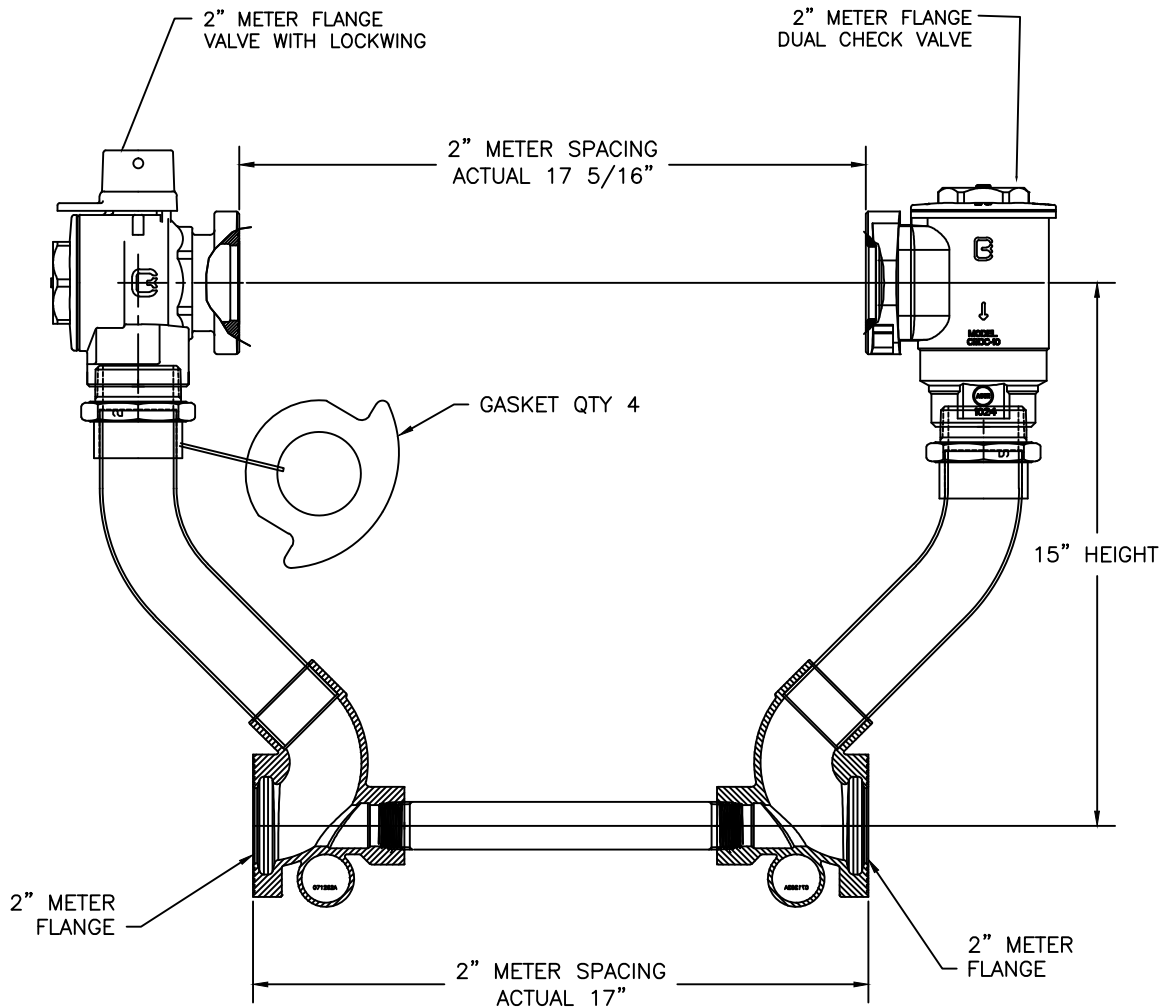


SUBMITTAL INFORMATION

RESETTER 6010NL-715MF7MF7-UQN

AT NEW METER: ANGLE BALL VALVE X ANGLE DUAL CHECK VALVE

AT EXISTING METER: 2" METER FLANGE X 2" METER FLANGE



FEATURES:

- ALL COMPONENTS CONFORM TO AWWA C800-05 (ASTM B-584, UNS NO C89833 FOR BRASS PARTS IN CONTACT WITH POTABLE WATER, AND ASTM B-62 AND B-584, UNS NO C83600 FOR ALL OTHER BRASS PARTS).
- ASSEMBLED WITH LEAD-FREE SOLDER.
- BRACING EYES ARE STANDARD.
- CONSTRUCTED WITH TYPE K COPPER TUBING ALLOY C12000 MANUFACTURED TO ASTM B88.
- FURNISHED WITH FOUR RUBBER GASKETS
- ANGLE VALVE HAS PADLOCK WINGS FOR LOCKING VALVE IN CLOSED POSITION.
- METER SETTER IS SHIPPED WITH PLASTIC METER IDLER
- CONFORMS TO ANSI/NSF 372 (COMPLIANT WITH US Safe Drinking Water Act. PL 111-380)
- 180 DEG. FAHRENHEIT MAXIMUM CONSTANT TEMPERATURE.
- 175 PSI MAXIMUM WORKING PRESSURE.
- CHECK VALVE IS ASSE 1024 APPROVED

Cambridge Brass considers the information in this submittal form to be correct at the time of publication. Item and option availability, including specifications, are subject to change without notice.

Cambridge Brass
 P.O. Box 249, 140 Orion Place
 Cambridge, Ontario
 Canada N1R 5V1
 Tel: (519) 621-5520
 Fax: (519) 621-8674
<http://www.cambridgebrass.com>

CAMBRIDGE
 BRASS

REV. B - MAY 2014

SUBMITTED BY: