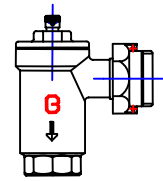


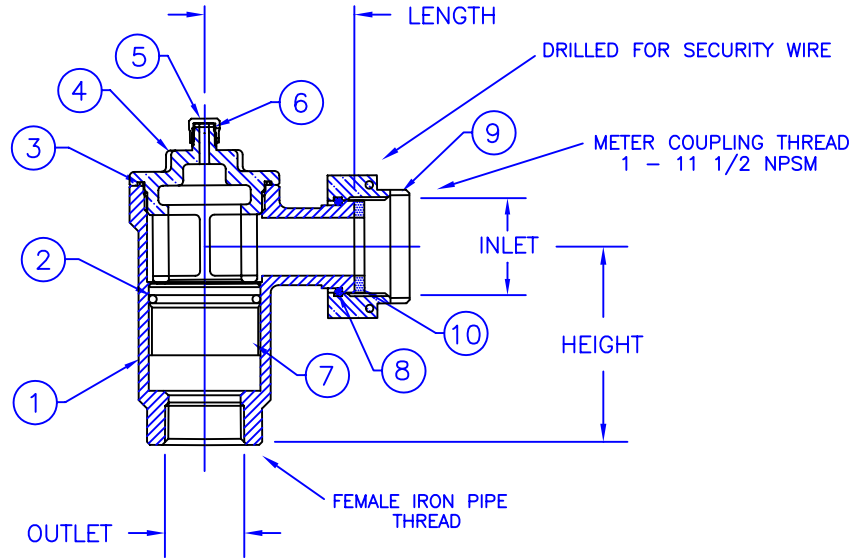
Cambridge Brass
P.O. Box 249
140 Orion Place
Cambridge, Ontario
Canada N1R 5V1
Tel: (519) 621-5520
Fax: (519) 621-8674
http://www.cambridgebrass.com



MODEL NO. 590NL

METER SWIVEL NUT x
FEMALE IRON PIPE

ANGLE SINGLE
CARTRIDGE CHECK VALVE



PARTS AND MATERIAL:

1. BODY: CAST BRASS, ALLOY C89833
2. O-RING: NITRILE RUBBER
3. O-RING: NITRILE RUBBER
4. CAP: CAST BRASS, ALLOY C89833
5. TEST PORT CAP: BRASS, ALLOY C36000
6. GASKET: NITRILE RUBBER
7. CHECK CARTRIDGE: ACETAL PLASTIC, S.S. 304, NITRILE RUBBER
8. RETAINER RING: PHOSPHOR BRONZE
9. METER SWIVEL SADDLE NUT: CAST BRASS, ALLOY C84400
10. METER GASKET: NEOPRENE RUBBER

FEATURES:

- MANUFACTURED IN COMPLIANCE WITH AWWA STANDARD C800-05 (ASTM B-584, UNS NO C89833).
- CSA CLASSIFIED TO ANSI/NSF STANDARD 61-8.
- CARTRIDGE IS IN-LINE ACCESSIBLE THROUGH CAP.
- WORKING TEMPERATURE TO 180 DEG. FAHRENHEIT MAXIMUM.
- WORKING PRESSURE UP TO 175 PSI MAXIMUM.

Cambridge Brass considers the information in this submittal form to be correct at the time of publication. Item and option availability, including specifications, are subject to change without notice.

VALVE SIZE	CATALOG NO.	INLET METER SIZE	OUTLET F.I.P.	LENGTH	HEIGHT	APPROX. WT. LBS.
3/4"	590NL-T3F3	5/8"x3/4" & 3/4"	3/4"	1.94"	2.57"	
1"	590NL-T4F4	1"	1"	2.28"	2.82"	

Submitted by: