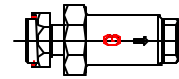


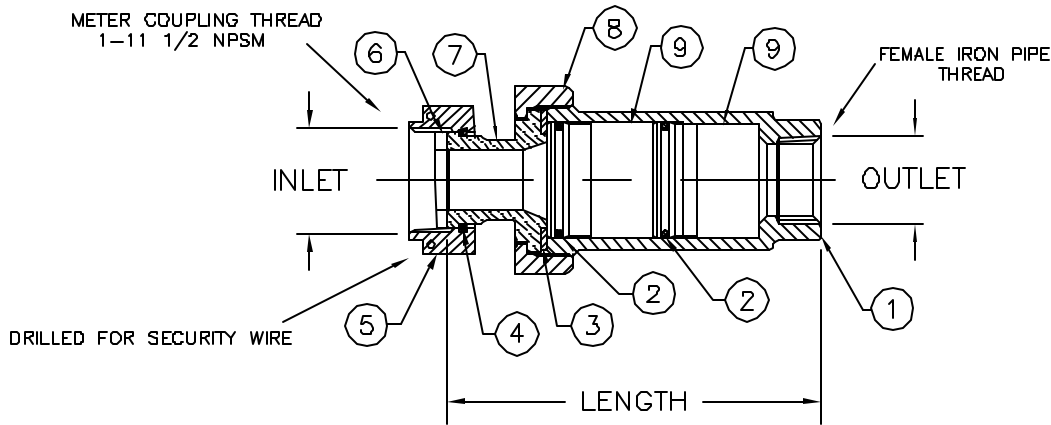
Cambridge Brass
P.O. Box 249
140 Orion Place
Cambridge, Ontario
Canada N1R 5V1
Tel: (519) 621-5520
Fax: (519) 621-8674
http://www.cambridgebrass.com



MODEL NO. 520

METER SWIVEL NUT x
FEMALE IRON PIPE

STRAIGHT DUAL
CARTRIDGE CHECK VALVE



PARTS AND MATERIAL:

1. BODY: CAST BRASS, ALLOY C83600
2. O-RING: NITRILE RUBBER
3. WASHER: NITRILE RUBBER
4. RETAINER RING: PHOSPHOR BRONZE
5. METER SWIVEL NUT: CAST BRASS, ALLOY C83600
6. METER GASKET: NEOPRENE RUBBER
7. ENDBODY: CAST BRASS, ALLOY C83600
8. RETAINER NUT: CAST BRASS, ALLOY C84400
9. CHECK CARTRIDGE: ACETAL PLASTIC, S.S. 304, NITRILE RUBBER

FEATURES:

- MANUFACTURED IN COMPLIANCE WITH AWWA STANDARD C800-05 (ASTM B-62 AND ASTM B-584, UNS NO C83600-85-5-5-5).
- CSA CLASSIFIED TO ANSI/NSF STANDARD 61-8.
- CARTRIDGES ARE IN-LINE ACCESSIBLE THROUGH CAP.
- WORKING TEMPERATURE TO 180 DEG. FAHRENHEIT MAXIMUM.
- WORKING PRESSURE UP TO 175 PSI MAXIMUM.
- ASSE 1024 APPROVED

Cambridge Brass considers the information in this submittal form to be correct at the time of publication. Item and option availability, including specifications, are subject to change without notice.

VALVE SIZE	CATALOG NO.	INLET METER SIZE	OUTLET F.I.P.	LENGTH	APPROX. WT. LBS.
3/4"	520-T3F3	5/8"x3/4" OR 3/4"	3/4"	4.67"	1.8

Submitted by: