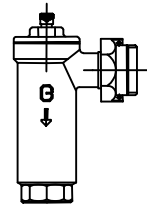


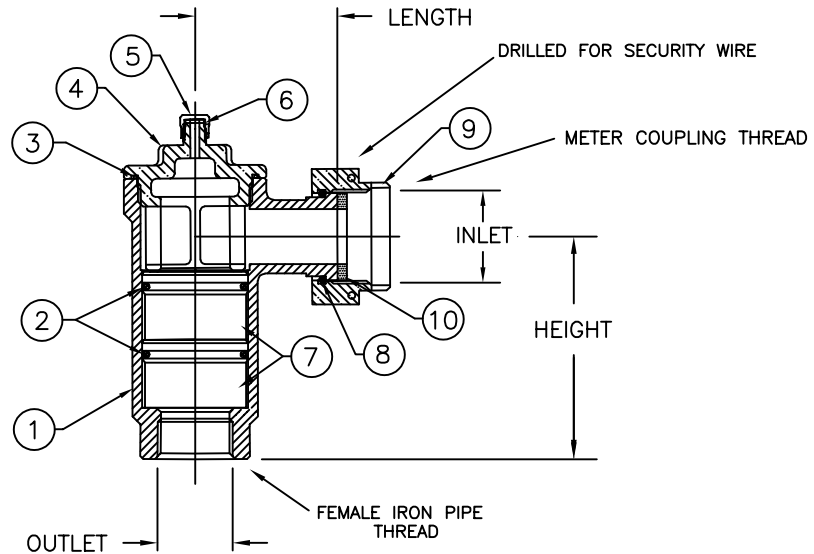
Cambridge Brass
P.O. Box 249
140 Orion Place
Cambridge, Ontario
Canada N1R 5V1
Tel: (519) 621-5520
Fax: (519) 621-8674
http://www.cambridgebrass.com



MODEL NO. 500NL

METER SWIVEL NUT x
FEMALE IRON PIPE

NO LEAD ANGLE DUAL
CARTRIDGE CHECK VALVE



PARTS AND MATERIAL:

1. BODY: NO LEAD CAST BRASS, ALLOY C89833
2. O-RING: NITRILE RUBBER
3. O-RING: NITRILE RUBBER
4. CAP: NO LEAD CAST BRASS, ALLOY C89833
5. TEST PORT CAP: COPPER ROD ALLOY C14500
6. GASKET: EPDM RUBBER
7. CHECK CARTRIDGE: ACETAL PLASTIC, S.S. 304, NITRILE RUBBER
8. RETAINER RING: PHOSPHOR BRONZE
9. METER SWIVEL SADDLE NUT: CAST BRASS, ALLOY C84400
10. METER GASKET: EPDM RUBBER

FEATURES:

- CONFORMS TO AWWA C800 (ASTM B584 UNS C89833 FOR ALL BRASS PARTS IN CONTACT WITH POTABLE WATER)
- CONFORMS TO ANSI/NSF 61-8
- CONFORMS TO ANSI/NSF 372 (COMPLIANT WITH US Safe Drinking Water Act. PL 111-380)
- BODY AND NUTS PROVIDE WRENCH FLATS FOR INSTALLATION
- 175PSI WORKING PRESSURE
- 180 DEG. FAHRENHEIT MAXIMUM CONSTANT TEMPERATURE
- ASSE 1024 APPROVED
- CARTRIDGES ARE IN-LINE ACCESSIBLE THROUGH CAP

Cambridge Brass considers the information in this submittal form to be correct at the time of publication. Item and option availability, including specifications, are subject to change without notice.

VALVE SIZE	CATALOG NO.	INLET METER SIZE	OUTLET F.I.P.	LENGTH	HEIGHT	APPROX. WT. LBS.
3/4"	500NL-T1F3	5/8"	3/4"	1.94"	3.87"	
3/4"	500NL-T3F3	5/8"x3/4" & 3/4"	3/4"	1.94"	3.87"	
1"	500NL-T4F4	1"	1"	2.28"	4.12"	

Submitted by: