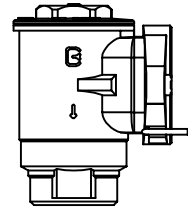


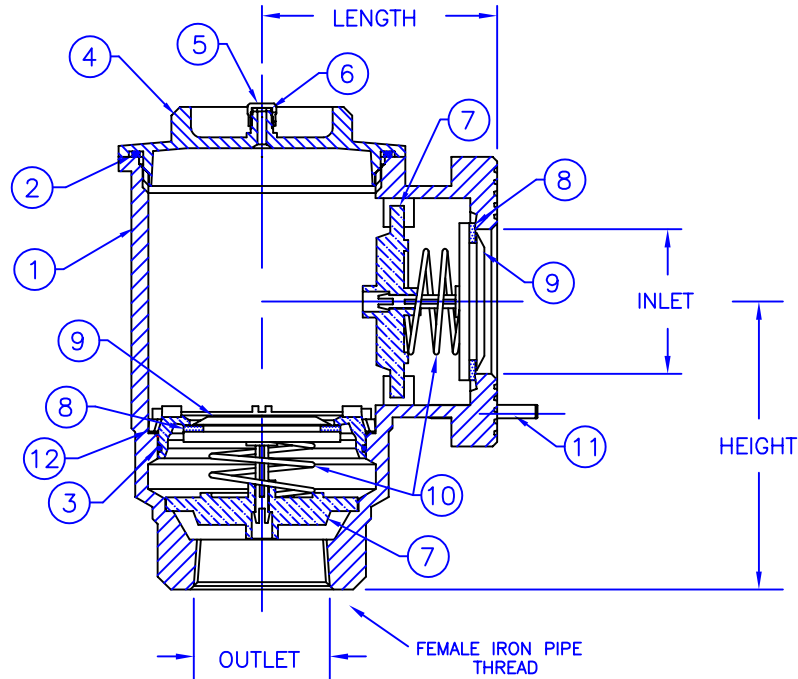
Cambridge Brass
P.O. Box 249
140 Orion Place
Cambridge, Ontario
Canada N1R 5V1
Tel: (519) 621-5520
Fax: (519) 621-8674
http://www.cambridgebrass.com



MODEL NO. 500NL

METER FLANGE x
FEMALE IRON PIPE

ANGLE CHECK VALVE



- PARTS AND MATERIAL:**
1. BODY: CAST BRASS, ALLOY C89833
 2. O-RING: NITRILE RUBBER
 3. O-RING: NITRILE RUBBER
 4. CAP: CAST BRASS, ALLOY C89833
 5. TEST PORT CAP: COPPER, ALLOY C14500
 6. GASKET: EPDM RUBBER
 7. SUPPORT BRACKET: CELCON
 8. SEAL: EPDM 2520-105
 9. POPPET: CELCON
 10. SPRING: STAINLESS STEEL
 11. SUPPORT BRACKET: STAINLESS STEEL
 12. BOTTOM CAGE: CAST BRASS, ALLOY C89833

- FEATURES:**
- ALL COMPONENTS CONFORM TO AWWA STANDARD C800 (ASTM B-584, UNS NO C89833 FOR BRASS PARTS IN CONTACT WITH POTABLE WATER, AND ASTM B-62 AND ASTM B-584, UNS NO C83600 FOR ALL OTHER BRASS PARTS.
 - CONFORMS TO ANSI/NSF 61-8
 - CONFORMS TO ANSI/NSF 372 (COMPLIANT WITH US Safe Drinking Water Act. PL 111-380)
 - CARTRIDGES ARE IN-LINE ACCESSIBLE THROUGH CAP.
 - 180 DEG. FAHRENHEIT MAXIMUM CONSTANT TEMPERATURE.
 - 175 PSI MAXIMUM WORKING PRESSURE.
 - ASSE 1024 APPROVED

Cambridge Brass considers the information in this submittal form to be correct at the time of publication. Item and option availability, including specifications, are subject to change without notice.

CATALOG NO.	METER FLANGE SIZE	OUTLET F.I.P.	LENGTH	HEIGHT	APPROX. WT. LBS.
500NL-MF6F6	1 1/2"	1 1/2"	3.25"	3.98"	
500NL-MF7F7	2"	2"	3.25"	3.98"	

Submitted by: