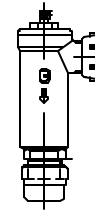


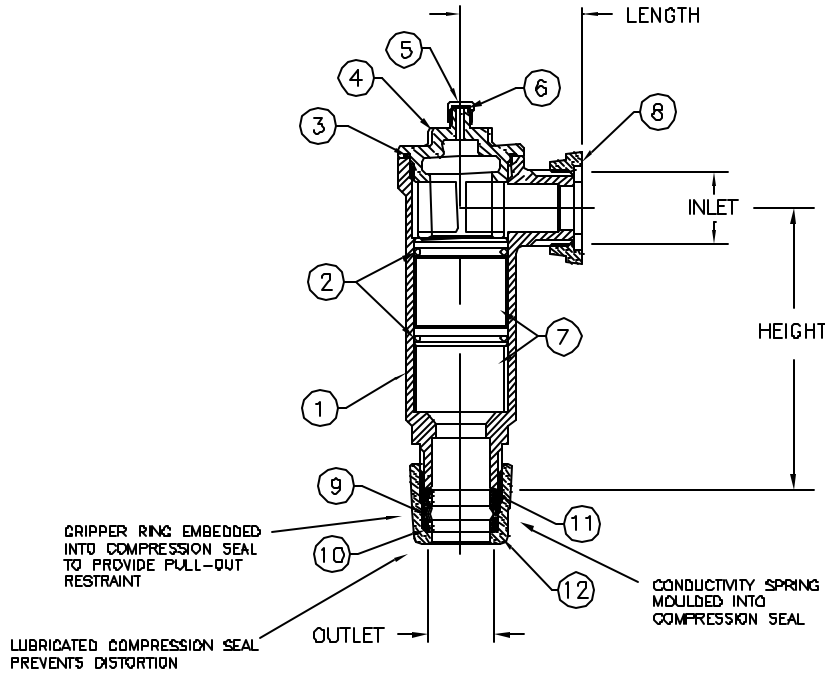
Cambridge Brass
P.O. Box 249
140 Orion Place
Cambridge, Ontario
Canada N1R 5V1
Tel: (519) 621-5520
Fax: (519) 621-8674
http://www.cambridgebrass.com



MODEL NO. 500

METER YOKE x
CB COMPRESSION

ANGLE DUAL
CARTRIDGE CHECK VALVE



PARTS AND MATERIAL:

1. BODY: CAST BRASS, ALLOY C83600
2. O-RING: NITRILE RUBBER
3. O-RING: NITRILE RUBBER
4. CAP: CAST BRASS, ALLOY C83600
5. TEST PORT CAP: BRASS, ALLOY C36000
6. GASKET: NITRILE RUBBER
7. CHECK CARTRIDGE: ACETAL PLASTIC, S.S. 304, NITRILE RUBBER
8. STAR NUT: CAST BRASS, ALLOY C83600
9. GRIPPER: STAINLESS STEEL, ALLOY 302
10. METER GASKET: NEOPRENE RUBBER
11. CONDUCTOR SPRING: BRASS
12. COMPRESSION NUT: CAST BRASS, ALLOY C83600

FEATURES:

- MANUFACTURED IN COMPLIANCE WITH AWWA STANDARD C800-05 (ASTM B-62 AND ASTM B-584, UNS NO C83600-85-5-5-5).
- CSA CLASSIFIED TO ANSI/NSF STANDARD 61-B.
- CARTRIDGES ARE IN-LINE ACCESSIBLE THROUGH CAP.
- 180 DEG. FAHRENHEIT MAXIMUM CONSTANT TEMPERATURE.
- 175 PSI MAXIMUM WORKING PRESSURE.
- ASSE 1024 APPROVED

Cambridge Brass considers the information in this submittal form to be correct at the time of publication. Item and option availability, including specifications, are subject to change without notice.

VALVE SIZE	CATALOG NO.	INLET METER SIZE	CB COMP.	LENGTH	HEIGHT	APPROX. WT. LBS.
3/4"	500-SR1H3	5/8"	3/4"	1.75"	4.37"	
3/4"	500-SR3H3	5/8"x3/4" & 3/4"	3/4"	1.75"	4.37"	
1"	500-SR4H4	1"	1"	2.25"	4.56"	

Submitted by: