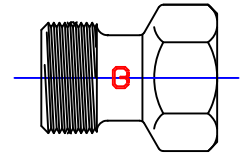


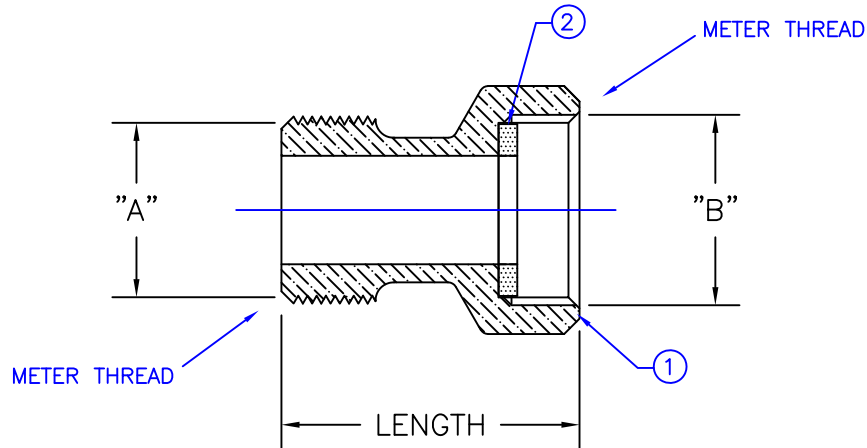
Cambridge Brass
P.O. Box 249
140 Orion Place
Cambridge, Ontario
Canada N1R 5V1
Tel: (519) 621-5520
Fax: (519) 621-8674
http://www.cambridgebrass.com



MODEL NO. 440

METER x METER

METER ADAPTOR



PARTS AND MATERIAL:

1. ADAPTOR: CAST BRASS, COPPER ALLOY C83600
2. GASKET: NEOPRENE RUBBER

NOTE:

440NL-N3R2 ADAPTOR EXTENDS METER LENGTH ONLY. REQUIRE 1 PER METER INSTALLATION.
440NL-N4R2 AND 440NL-N4R3 REQUIRE 2 PER METER INSTALLATION.

FEATURES:

- MANUFACTURED IN COMPLIANCE WITH AWWA STANDARD C800-05 (ASTM B-62 AND ASTM B-584, UNS NO c83600-85-5-5-5).
- CSA CLASSIFIED TO ANSI/NSF STANDARD 61-8
- BODY PROVIDES WRENCH FLATS TO FACILITATE INSTALLATION.

Cambridge Brass considers the information in this submittal form to be correct at the time of publication. Item and option availability, including specifications, are subject to change without notice.

METER SPUD CHANGE	CATALOG NO.	"A"	"B"	LENGTH	APPROX. WT. LBS.
5/8x3/4 TO 3/4	440-N3R2	1-11.5 NPSM	1-11.5 NPSM	1.94"	0.5
5/8x3/4 TO 1	440-N4R2	1 1/4-11.5 NPSM	1-11.5 NPSM	2.06"	0.5
3/4 TO 1	440-N4R3	1 1/4-11.5 NPSM	1-11.5 NPSM	1.31"	

Submitted by: