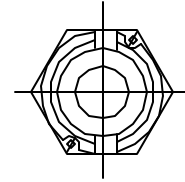


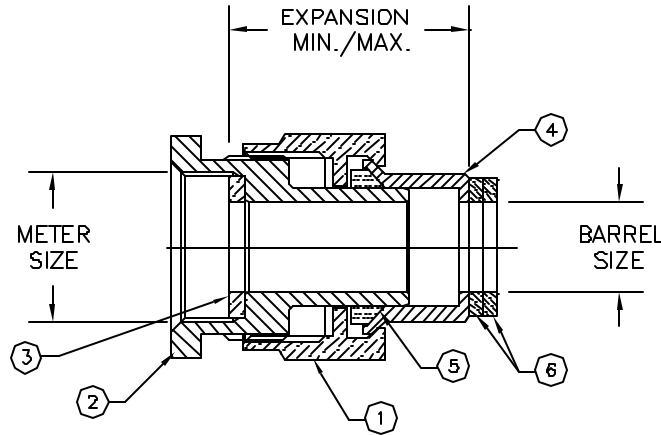
Cambridge Brass
P.O. Box 249
140 Orion Place
Cambridge, Ontario
Canada N1R 5V1
Tel: (519) 621-5520
Fax: (519) 621-8674
http://www.cambridgebrass.com



MODEL NO. 431

WRENCH TYPE

IRON YOKE
EXPANSION CONNECTION



PARTS AND MATERIAL:

1. EXPANSION NUT: CAST BRASS, ALLOY C84400
2. EXPANSION BODY: CAST BRASS, ALLOY C83600
3. FIBER GASKET: GARLOCK 3200
4. THIMBLE: COPPER, ALLOY C23000
5. GASKET: NITRILE RUBBER
6. GASKET: NITRILE RUBBER

FEATURES:

- MANUFACTURED IN COMPLIANCE WITH AWWA STANDARD C800-05 (ASTM B-62 AND ASTM B-584, UNS NO C83600-85-5-5-5).
- EXPANSION CONNECTION ATTACHES TO THE METER. TOGETHER, THEY ARE INSTALLED AS AN EXPANDABLE UNIT.
- ENHANCED SECURITY WHEN THE EXPANSION CONNECTION IS REMOVED ALONG WITH THE METER.
- THIMBLE NOSE PIECE DOES NOT ROTATE AFTER CONTACT WITH THE RUBBER YOKE END GASKET.

Cambridge Brass considers the information in this submittal form to be correct at the time of publication. Item and option availability, including specifications, are subject to change without notice.

METER SIZE	CATALOG NO.	BARREL SIZE	EXPANSION MIN./MAX.	APPROX. WT. LBS.
5/8"	431-1	.60"	1.44"/1.75"	0.6
5/8"x3/4" & 3/4"	431-3	.75"	1.62"/2.03"	0.8

Submitted by: