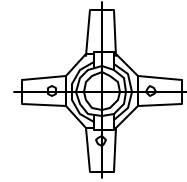


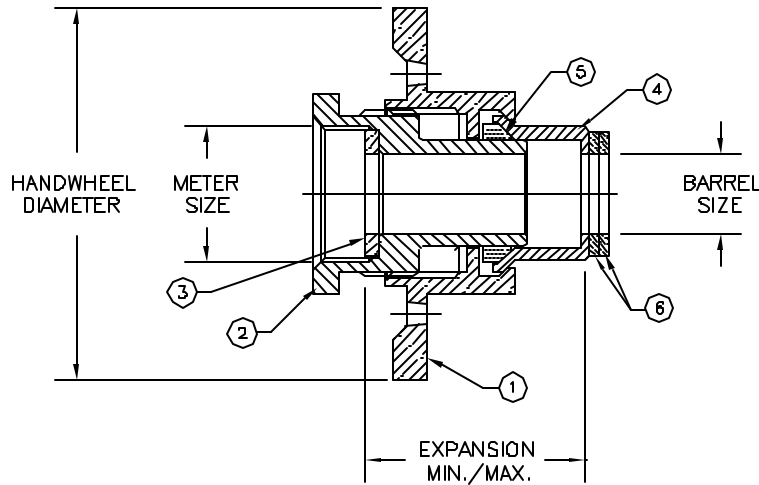
Cambridge Brass
P.O. Box 249
140 Orion Place
Cambridge, Ontario
Canada N1R 5V1
Tel: (519) 621-5520
Fax: (519) 621-8674
http://www.cambridgebrass.com



MODEL NO. 430NL

HANDWHEEL TYPE

IRON YOKE
EXPANSION CONNECTION



PARTS AND MATERIAL:

1. HANDWHEEL: CAST BRASS, ALLOY C84400
2. EXPANSION BODY: CAST BRASS, ALLOY C89833
3. FIBER GASKET: GARLOCK 3200
4. THIMBLE: COPPER, ALLOY C23000
5. GASKET: NITRILE RUBBER
6. GASKET: NITRILE RUBBER

FEATURES:

- ALL COMPONENTS CONFORM TO AWWA STANDARD C800-05 (ASTM B-584 UNS NO C89833 FOR BRASS PARTS IN CONTACT WITH POTABLE WATER, AND ASTM B-62 AND B-584 UNS NO C83600 FOR ALL OTHER BRASS PARTS).
- EXPANSION CONNECTION ATTACHES TO THE METER. TOGETHER, THEY ARE INSTALLED AS AN EXPANDABLE UNIT.
- ENHANCED SECURITY WHEN THE EXPANSION CONNECTION IS REMOVED ALONG WITH THE METER.
- THIMBLE NOSE PIECE DOES NOT ROTATE AFTER CONTACT WITH THE RUBBER YOKE END GASKET.

Cambridge Brass considers the information in this submittal form to be correct at the time of publication. Item and option availability, including specifications, are subject to change without notice.

METER SIZE	CATALOG NO.	BARREL SIZE	HANDWHEEL DIAMETER	EXPANSION MIN./MAX.	APPROX. WT. LBS.
5/8"	430NL-1	.60"	3.26"	1.44/1.75	0.7
5/8"x3/4" & 3/4"	430NL-3	.75"	3.50"	1.62/2.03	1.0
1"	430NL-4	1.00"	4.26"	1.90/2.54	1.8

Submitted by: