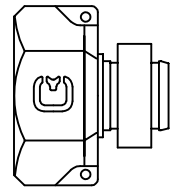


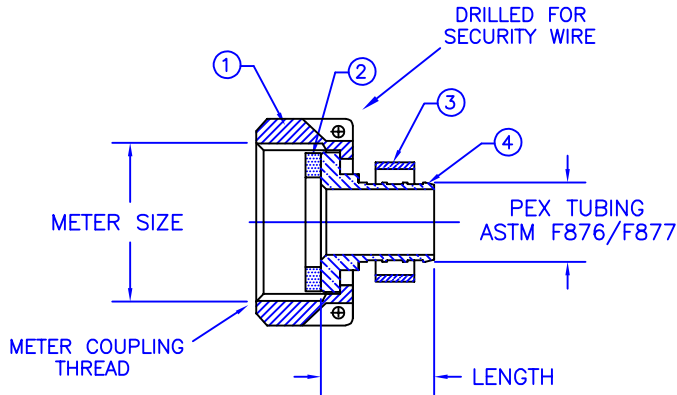
Cambridge Brass  
P.O. Box 249  
140 Orion Place  
Cambridge, Ontario  
Canada N1R 5V1  
Tel: (519) 621-5520  
Fax: (519) 621-8674  
http://www.cambridgebrass.com



MODEL NO. 417NL

METER SWIVEL NUT x PEX

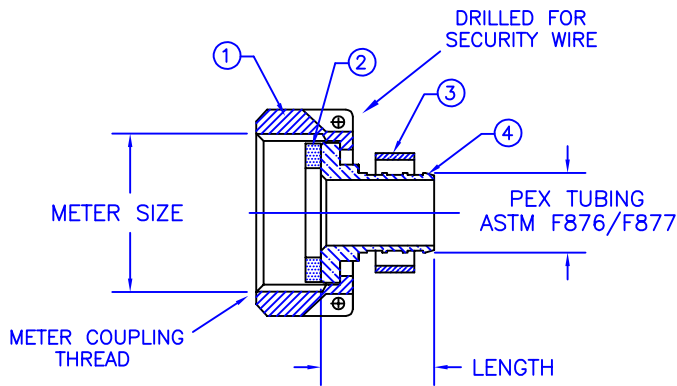
N/L METER COUPLING



417NL-T1W3

PARTS AND MATERIAL:

1. METER SWIVEL NUT: CAST BRASS, ALLOY C84400
2. GASKET: EPDM RUBBER
3. CRIMP RING: COPPER, ALLOY C10200
4. TAILPIECE: CAST BRASS, ALLOY C89833



417NL-T3W3

PARTS AND MATERIAL:

1. METER SWIVEL NUT: CAST BRASS, ALLOY C84400
2. GASKET: EPDM RUBBER
3. CRIMP RING: COPPER, ALLOY C10200
4. TAILPIECE: CAST BRASS, ALLOY C89833

FEATURES:

- MANUFACTURED IN COMPLIANCE WITH AWWA STANDARD C800(ASTM B-584, UNS NO C89833).
- CONFORMS TO ANSI/NSF 61-8
- CONFORMS TO ANSI/NSF 372 (COMPLIANT WITH US Safe Drinking Water Act. PL 111-380)
- CONFORMS TO AWWA C700 FOR METER THREADS.
- SLIP-ON METER SWIVEL NUT.

Cambridge Brass considers the information in this submittal form to be correct at the time of publication. Item and option availability, including specifications, are subject to change without notice.

CATALOG NO.	METER SIZE	METER THREAD	PEX TUBING SIZE	LENGTH	APPROX. WT. LBS.
417NL-T1W3	5/8"	3/4" NPSM	3/4"	0.96"	
417NL-T1W4	5/8"	3/4" NPSM	1"	1.66"	
417NL-T3W3	5/8"x3/4" OR 3/4"	1" NPSM	3/4"	0.96"	
417NL-T3W4	5/8"x3/4" OR 3/4"	1" NPSM	1"	1.12"	

Submitted by: