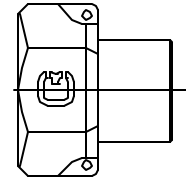


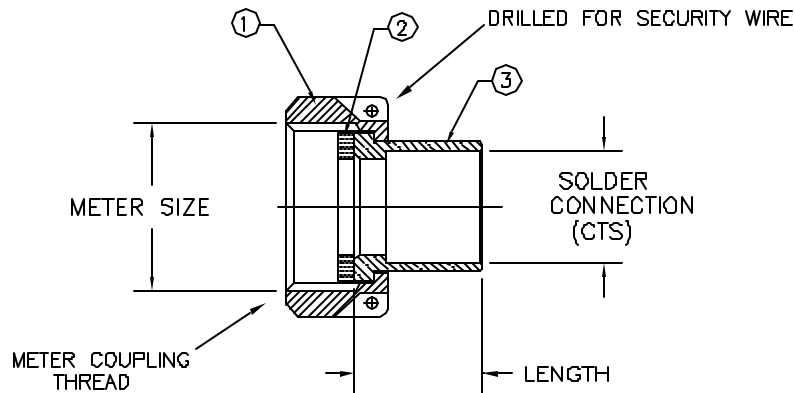
Cambridge Brass  
P.O. Box 249  
140 Orion Place  
Cambridge, Ontario  
Canada N1R 5V1  
Tel: (519) 621-5520  
Fax: (519) 621-8674  
http://www.cambridgebrass.com



MODEL NO. 417NL

METER SWIVEL NUT x SOLDER JOINT

METER COUPLING



PARTS AND MATERIAL:

1. METER SWIVEL NUT: CAST BRASS, ALLOY C84400
2. GASKET: NEOPRENE RUBBER
3. TAILPIECE: CAST BRASS, ALLOY C89833

FEATURES:

- MANUFACTURED IN COMPLIANCE WITH AWWA STANDARD C800-05 (ASTM B-584, UNS NO C89833).
- CONFORMS TO AWWA C700 FOR METER THREADS.

Cambridge Brass considers the information in this submitted form to be correct at the time of publication. Item and option availability, including specifications, are subject to change without notice.

CATALOG NO.	METER SIZE	METER THREAD	SOLDER CONNECTION	LENGTH	APPROX. WT. LBS.
417NL-T3S3	5/8"x3/4" & 3/4"	1" NPSM	3/4" CTS	1.02"	0.4

Submitted by: