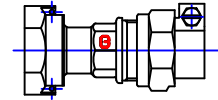


Cambridge Brass
P.O. Box 249
140 Orion Place
Cambridge, Ontario
Canada N1R 5V1
Tel: (519) 621-5520
Fax: (519) 621-8674
http://www.cambridgebrass.com

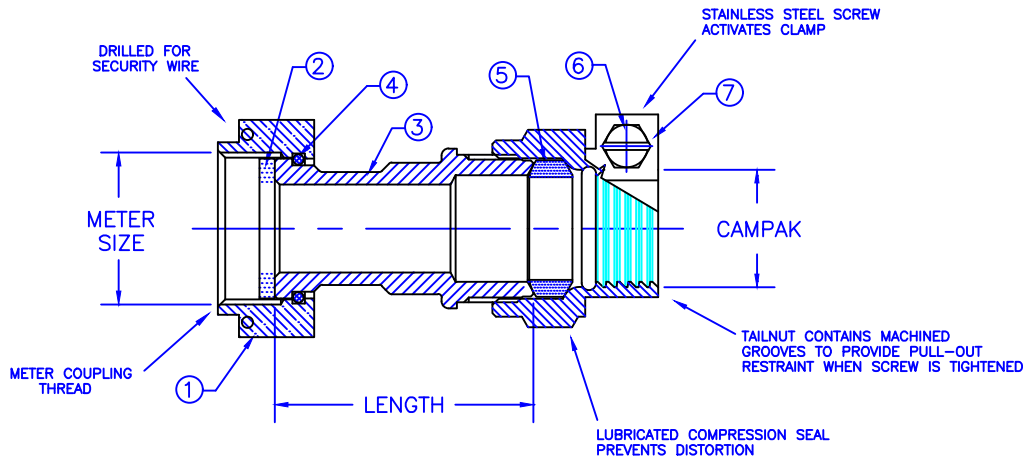


MODEL NO. 417NL

METER SWIVEL NUT x CAMPAK

METER COUPLING

FOR METER SPUD x COPPER OR PLASTIC TUBING (CTS)



PARTS AND MATERIAL:

1. METER SWIVEL NUT: CAST BRASS, ALLOY C84400
2. GASKET: EPDM RUBBER
3. TAILPIECE: CAST BRASS, ALLOY C89833
4. RETAINING RING: PHOSPOR BRONZE WIRE
5. COMPRESSION SEAL: NITRILE RUBBER
6. SCREW: STAINLESS STEEL, ALLOY 304
7. COMPRESSION NUT: CAST BRASS, ALLOY C83600

FEATURES:

- ALL COMPONENTS CONFORM TO AWWA C800-05 (ASTM B-584, UNS NO C89833 FOR BRASS PARTS IN CONTACT WITH POTABLE WATER, AND ASTM B-62 AND B-584, UNS NO C83600 FOR ALL OTHER BRASS PARTS).
- CONFORMS TO ANSI/NSF 61-8
- CONFORMS TO ANSI/NSF 372 (COMPLIANT WITH US Safe Drinking Water Act. PL 111-380)
- 300 PSI WORKING PRESSURE.
- BODY HAS HEAVY HEX ON BARREL TO FACILITATE INSTALLATION.
- METER SWIVEL NUT IS NOT REMOVABLE.
- CONFORMS TO AWWA C700 FOR METER THREADS.

Cambridge Brass considers the information in this submittal form to be correct at the time of publication. Item and option availability, including specifications, are subject to change without notice.

CATALOG NO.	METER SIZE	METER THREAD	CAMPAK	LENGTH	APPROX. WT. LBS.
417NL-T1B3	5/8"	3/4" NPSM	3/4"	2.20"	
417NL-T3B3	5/8"x3/4" & 3/4"	1" NPSM	3/4"	2.20"	
417NL-T4B4	1"	1 1/4" NPSM	1"	2.50"	
417NL-T4B5	1"	1 1/4" NPSM	1 1/4"	2.75"	

Submitted by: