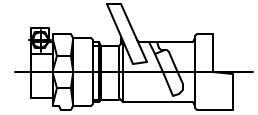


Cambridge Brass
P.O. Box 249
140 Orion Place
Cambridge, Ontario
Canada N1R 5V1
Tel: (519) 621-5520
Fax: (519) 621-8674
http://www.cambridgebrass.com

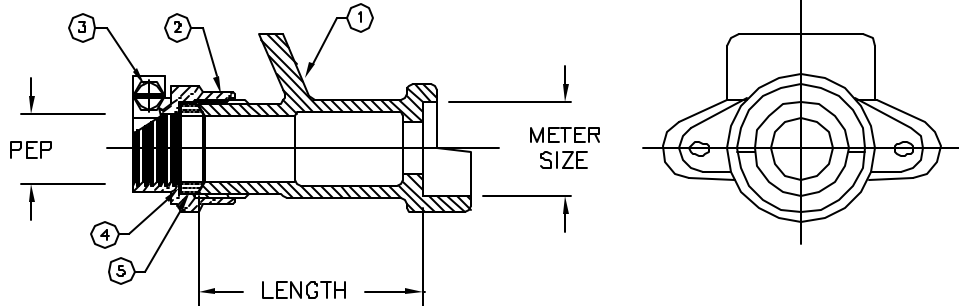


MODEL NO. 417

PEP x METER YOKE

METER YOKE
STRAIGHT BODY

FOR POLYETHYLENE PIPE (PEP) x METER SPUD



PARTS AND MATERIAL:

1. BODY: CAST BRASS, ALLOY C83600
2. NUT: CAST BRASS: ALLOY C83600
3. SCREW: STAINLESS STEEL, ALLOY 304
4. ANTI-FRICTION WASHER: HDPE
5. GASKET: RUBBER COMPOUND NSF-61

FEATURES:

- MANUFACTURED IN COMPLIANCE WITH AWWA STANDARD C800-05 (ASTM B-62 AND ASTM B-584, UNS NO C83600-85-5-5-5).
- FLOW CAN BE IN EITHER DIRECTION.
- 300 PSI WORKING PRESSURE.
- SIDE HOLES PROVIDED FOR ATTACHING BODY TO METER BOX.

Cambridge Brass considers the information in this submittal form to be correct at the time of publication. Item and option availability, including specifications, are subject to change without notice.

CATALOG NO.	PEP	METER SIZE	LENGTH	APPROX. WT. LBS.
417-PE3MY3	3/4"	3/4"	3.18"	

Submitted by: