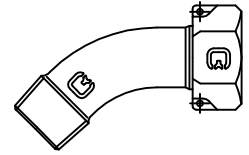


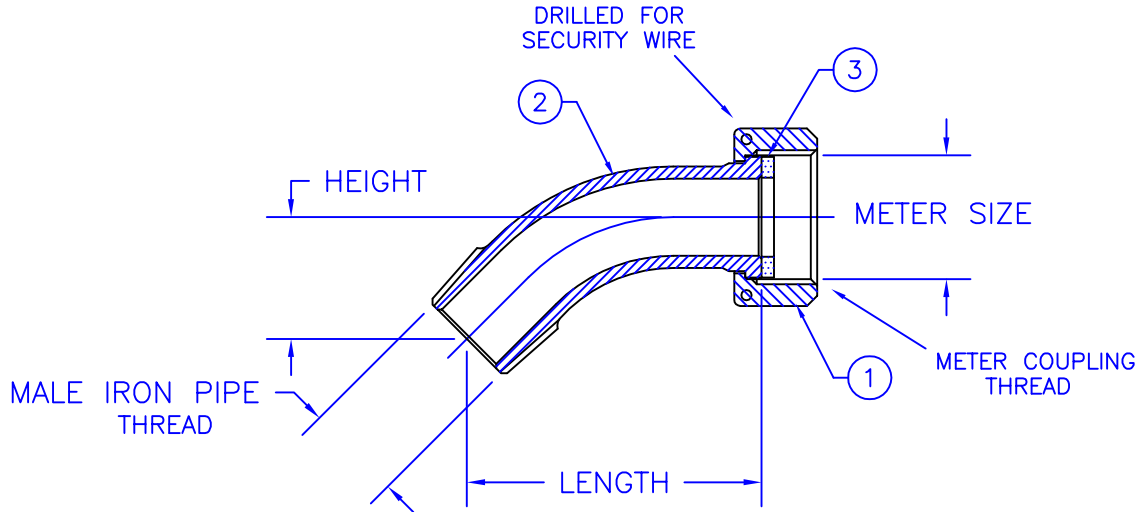
Cambridge Brass
P.O. Box 249
140 Orion Place
Cambridge, Ontario
Canada N1R 5V1
Tel: (519) 621-5520
Fax: (519) 621-8674
http://www.cambridgebrass.com



MODEL NO. 406NL

METER SWIVEL NUT x
MALE IRON PIPE

EIGHTH BEND
METER COUPLING



PARTS AND MATERIAL:
1. NUT: CAST BRASS, ALLOY C84400
2. COUPLING BODY: NO LEAD CAST BRASS, ALLOY C89833
3. GASKET: EPDM RUBBER

FEATURES:

- CONFORMS TO AWWA C800 (ASTM B584 UNS C89833 FOR BRASS PARTS IN CONTACT WITH POTABLE WATER
- CONFORMS TO ANSI/NSF 61-8
- CONFORMS TO ANSI/NSF 372 (COMPLIANT WITH US Safe Drinking Water Act. PL 111-380)
- NUTS PROVIDE WRENCH FLATS FOR INSTALLATION
- 300 PSI WORKING PRESSURE
- SLIP-ON METER SWIVEL NUT
- CONFORMS TO AWWA C700 FOR METER THREADS

Cambridge Brass considers the information in this submittal form to be correct at the time of publication. Item and option availability, including specifications, are subject to change without notice.

CATALOG No.	METER SIZE	METER THREAD	MALE IRON PIPE	LENGTH	HEIGHT	APPROX. WT. LBS.
406NL-T3M3	5/8"x3/4" & 3/4"	1" NPSM	3/4"	2.87"	1.18"	0.6

Submitted by: