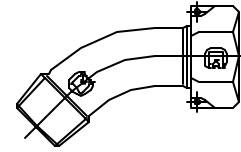


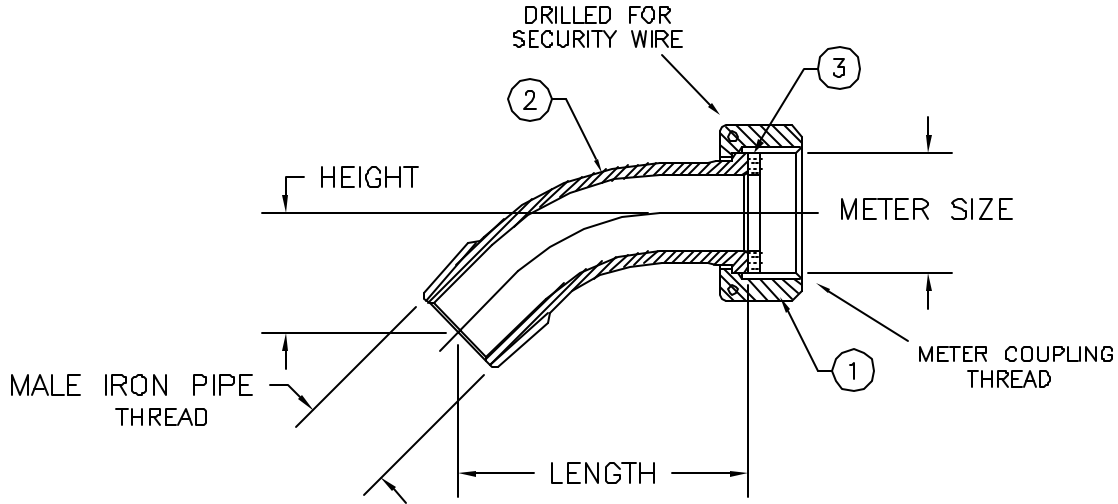
Cambridge Brass
P.O. Box 249
140 Orion Place
Cambridge, Ontario
Canada N1R 5V1
Tel: (519) 621-5520
Fax: (519) 621-8674
http://www.cambridgebrass.com



MODEL NO. 406

METER SWIVEL NUT x
MALE IRON PIPE

EIGHTH BEND
METER COUPLING



- PARTS AND MATERIAL:**
1. NUT: CAST BRASS, ALLOY CB4400
 2. COUPLING BODY: CAST BRASS, ALLOY C83600
 3. GASKET: NEOPRENE RUBBER

- FEATURES:**
- MANUFACTURED IN COMPLIANCE WITH AWWA STANDARD C800-05 (ASTM B-62 AND ASTM B-584, UNS NO C83600-85-5-5-5).
 - CONFORMS TO AWWA C700 FOR METER THREADS.
 - SLIP ON METER SWIVEL NUT.

Cambridge Brass considers the information in this submittal form to be correct at the time of publication. Item and option availability, including specifications, are subject to change without notice.

CATALOG No.	METER SIZE	METER THREAD	MALE IRON PIPE	LENGTH	HEIGHT	APPROX. WT. LBS.
406-T3M3	5/8"x3/4" & 3/4"	1" NPSM	3/4"	2.87"	1.18"	0.6
406-T4M4	1"	1 1/4" NPSM	1"	3.40"	1.40"	
406-T6M6	1 1/2"	2" NPSM	1 1/2"	3.81"	1.58"	2.1

Submitted by: