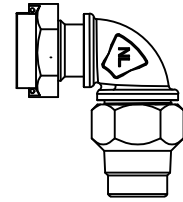


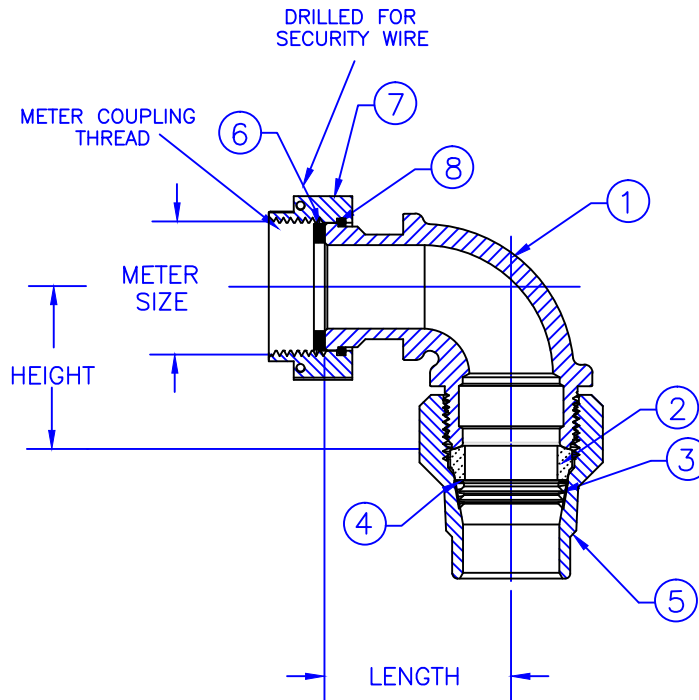
Cambridge Brass
P.O. Box 249
140 Orion Place
Cambridge, Ontario
Canada N1R 5V1
Tel: (519) 621-5520
Fax: (519) 621-8674
http://www.cambridgebrass.com



MODEL NO. 405NL

METER SWIVEL NUT x
GRIP JOINT

ANGLE METER COUPLING



PARTS AND MATERIAL:

1. COUPLING BODY: CAST BRASS, ALLOY C89833
2. GASKET: NITRILE RUBBER
3. GRIPPER: BRASS, ALLOY C26000
4. WASHER: POLLYETHYLENE
5. GRIP JOINT NUT: CAST BRASS, ALLOY C83600
6. SEALING WASHER: NEOPRENE RUBBER
7. METER SWIVEL NUT: CAST BRASS, ALLOY C83600
8. RETAINING RING: PHOSPUR BRONZE WIRE

FEATURES:

- ALL COMPONENTS CONFORM TO AWWA STANDARD C800-05 (ASTM B-584, UNS NO C89833 FOR BRASS PARTS IN CONTACT WITH POTABLE WATER, AND ASTM B-62 AND B-584, UNS NO C83600 FOR ALL OTHER BRASS PARTS).
- CONFORMS TO AWWA C700 FOR METER THREADS.
- CONFORMS TO ANSI/NSF 61-8
- CONFORMS TO ANSI/NSF 372 (COMPLIANT WITH US Safe Drinking Water Act. PL 111-380)
- BODY PROVIDES WRENCH FLATES FOR PROPER INSTALLATION.
- 300 PSI WORKING PRESSURE.

Cambridge Brass considers the information in this submittal form to be correct at the time of publication. Item and option availability, including specifications, are subject to change without notice.

CATALOG NO.	METER SIZE	METER THREAD	GRIP JOINT	HEIGHT	LENGTH	APPROX. WT. LBS.
405NL-T4GJ4	1"	1 1/4" NPSM	1"	1.94"	2.23"	2.0

Submitted by: