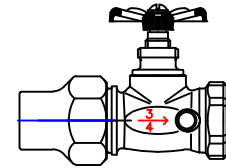


Cambridge Brass
 P.O. Box 249
 140 Orion Place
 Cambridge, Ontario
 Canada N1R 5V1
 Tel: (519) 621-5520
 Fax: (519) 621-8674
 http://www.cambridgebrass.com



MODEL NO. 32NL

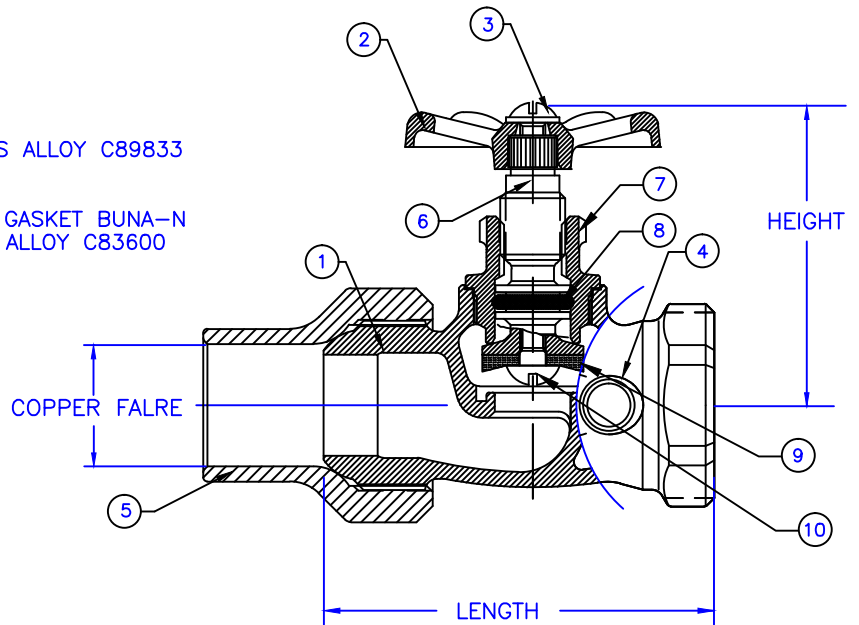
COPPER FLARE x FIP

COMP. STOP & DRAIN VALVE

FOR COPPER OR PLASTIC TUBING (CTS)

PARTS AND MATERIAL:

1. VALVE BODY: NO LEAD CAST BRASS ALLOY C89833
2. HAND WHEEL: ALUMINUM 383
3. HANDLE SCREW: STEEL
4. DRAIN ASS'Y: CAP ALLOY C36000, GASKET BUNA-N
5. COPPER FLARE NUT: CAST BRASS, ALLOY C83600
6. STEM, ALLOY C27450
7. BONNET, NO LEAD ALLOY C27450
8. O-RING, NITRILE
9. SEAT, BUNA-N
10. SCREW, NO LEAD ALLOY C26000



FEATURES

- CONFORMS TO AWWA C800 (ASTM B584 UNS C89833 FOR BRASS PARTS IN CONTACT WITH POTABLE WATER)
- CONFORMS TO ANSI/NSF 61-8
- CONFORMS TO ANSI/NSF 372 (COMPLIANT WITH US Safe Drinking Water Act. PL 111-380)
- BODY AND NUTS PROVIDE WRENCH FLATS FOR INSTALLATION
- 125PSI WORKING PRESSURE
- VALVES ARE DIRECTIONAL (FLOW DIRECTION MARKED ON VALVE BODY)

Cambridge Brass considers the information in this submittal form to be correct at the time of publication. Item and option availability, including specifications, are subject to change without notice.

VALVE SIZE	CATALOG NO.	COPPER FLARE	FIP	LENGTH	HEIGHT	APPROX. WT. LBS.
3/4"	32NL-C3F3	3/4"	3/4"	2.89"	2.24"	1.06

Submitted by: