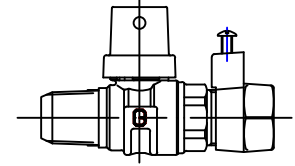


Cambridge Brass
P.O. Box 249
140 Orion Place
Cambridge, Ontario
Canada N1R 5V1
Tel: (519) 621-5520
Fax: (519) 621-8674
http://www.cambridgebrass.com

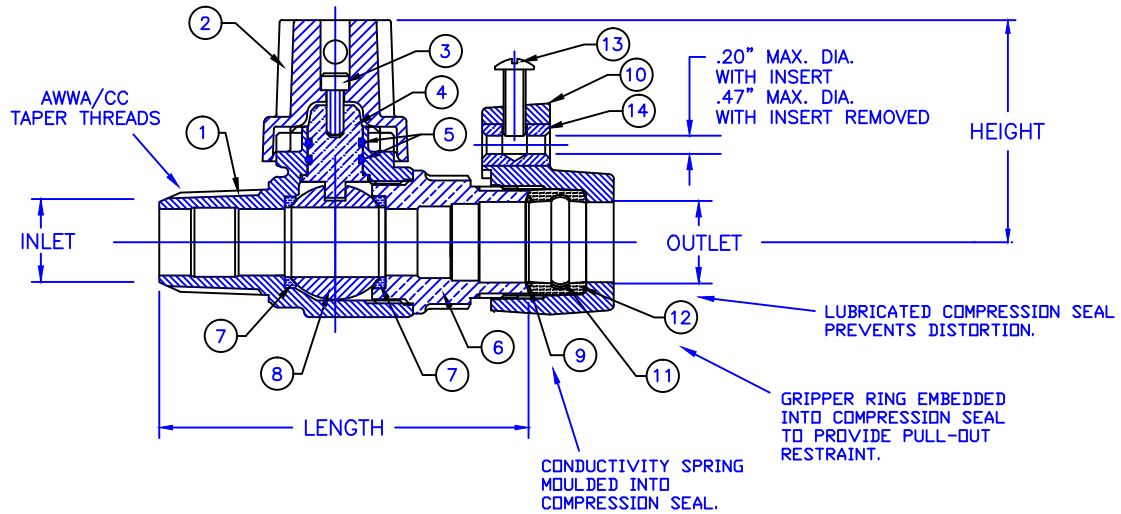


MODEL NO. 311NL

AWWA (CC) x CB COMPRESSION ELECTRICAL

CORPORATION MAIN STOP
BALL STYLE, WITH CAP

AWWA/CC TAPER THREAD INLET BY CB COMPRESSION FOR COPPER OR PLASTIC TUBING (CTS) OUTLET



- PARTS AND MATERIAL:
1. VALVE BODY: CAST BRASS, NO LEAD ALLOY C89833 PER ASTM B584
 2. CAP: CAST BRASS, ALLOY C83600
 3. CAP SCREW: STAINLESS STEEL, TYPE 304
 4. STEM: STAINLESS STEEL, TYPE 303
 5. O-RING: NITRILE RUBBER
 6. ENDBODY: CAST BRASS, NO LEAD ALLOY C89833 PER ASTM B584
 7. SEATS: TEFLON
 8. BALL: COPPER ALLOY, NO LEAD ALLOY C89833 PER ASTM B584
 9. CONDUCTOR SPRING: BRASS
 10. TAILNUT: CAST BRASS, ALLOY C83600
 11. GRIPPER: STAINLESS STEEL, TYPE 302
 12. COMPRESSION SEAL: NITRILE RUBBER
 13. SCREW: SILICON BRONZE
 14. INSERT: COPPER, ALLOY C14500

- FEATURES:
- ALL COMPONENTS CONFORM TO AWWA C800-05 (ASTM B-584, UNS NO C89833 FOR BRASS PARTS IN CONTACT WITH POTABLE WATER, AND ASTM B-62 AND B-584, UNS NO C83600 FOR ALL OTHER BRASS PARTS).
 - CONFORMS TO ANSI/NSF 61-8
 - CONFORMS TO ANSI/NSF 372 (COMPLIANT WITH US Safe Drinking Water Act. PL 111-380)
 - 100 PSI WORKING PRESSURE.
 - BODY PROVIDES LARGE, RUGGED FLATS FOR PROPER INSTALLATION.
 - FULL 360 DEGREE ROTATION.

ORDERING INFORMATION:
FULL 360 ROTATION = ADD "R" TO END OF CATALOG NO.
HANDLE = ADD "H" TO END OF CATALOG NO.

Cambridge Brass considers the information in this submittal form to be correct at the time of publication. Item and option availability, including specifications, are subject to change without notice.

VALVE SIZE	CATALOG NO.	INLET AWWA/CC	OUTLET CB ELECT.	LENGTH	HEIGHT	APPROX. WT. LBS.
3/4"	311NL-A3HE3	3/4"	3/4"	4.05"	2.46"	2.3
1"	311NL-A4HE4	1"	1"	4.59"	2.46"	3.1
1 1/2"	311NL-A6HE6	1 1/2"	1 1/2"	6.49"	3.31"	8.2
2"	311NL-A7HE7	2"	2"	6.78"	3.61"	11.2

Submitted by: