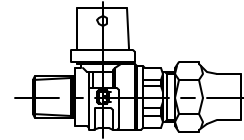


Cambridge Brass  
P.O. Box 249  
140 Orion Place  
Cambridge, Ontario  
Canada N1R 5V1  
Tel: (519) 621-5520  
Fax: (519) 621-8674  
http://www.cambridgebrass.com

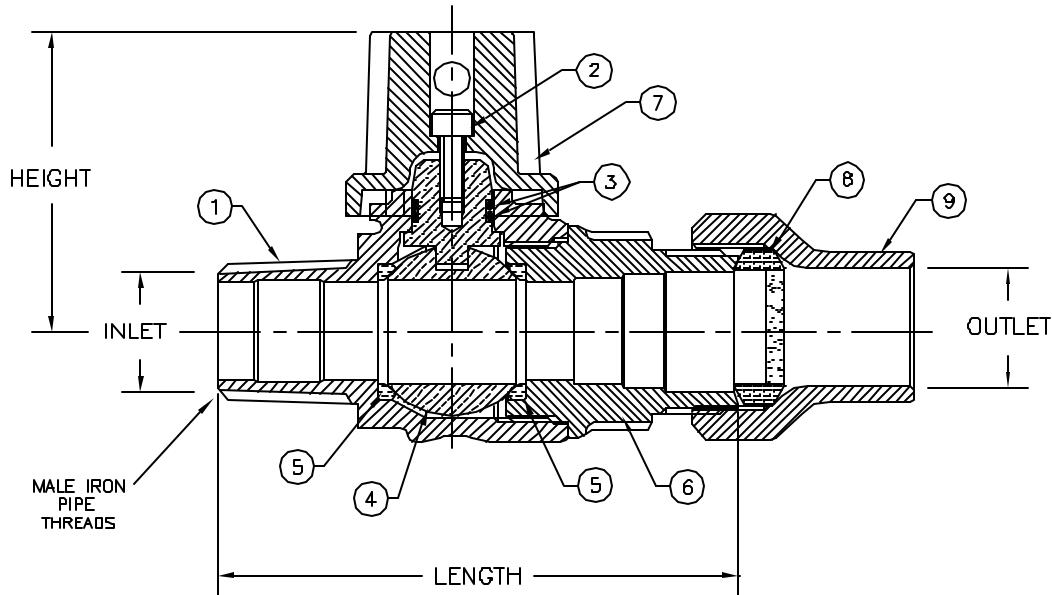


MODEL NO. 311

MALE IRON PIPE x HAYSTITE

CORPORATION MAIN STOP  
BALL STYLE, WITH CAP

MALE IRON PIPE THREAD INLET BY HAYSTITE FOR COPPER OR PLASTIC TUBING (CTS) OUTLET



PARTS AND MATERIAL:

- 1. VALVE BODY: CAST BRASS, ALLOY C83600
- 2. STEM: STAINLESS STEEL, TYPE 303
- 3. O-RING: NITRILE RUBBER
- 4. BALL: CAST BRASS, NO LEAD
- 5. SEATS: TEFLON
- 6. ENDBODY: CAST BRASS, ALLOY C83600
- 7. CAP: CAST BRASS, ALLOY C83600
- 8. COMPRESSION SEAL: NITRILE RUBBER, WITH GRIT
- 9. TAILNUT: CAST BRASS, ALLOY C83600

FEATURES:

- MANUFACTURED IN COMPLIANCE WITH AWWA STANDARD C800-05 (ASTM B-62 AND ASTM B-584, UNS NO C83600-85-5-5-5).
- 300 PSI WORKING PRESSURE.
- ROTATION STOPS RESIST 200 FT. LB. TORQUE.
- BLOWOUT PROOF DESIGN.
- BODY PROVIDES LARGE, RUGGED FLATS FOR PROPER INSTALLATION.

Cambridge Brass considers the information in this submittal form to be correct at the time of publication. Item and option availability, including specifications, are subject to change without notice.

VALVE SIZE	CATALOG NO.	INLET M.I.P.	OUTLET HAYSTITE	LENGTH	HEIGHT	APPROX. WT. LBS.
3/4"	311-M3J3	3/4"	3/4"	3.96"	2.46"	
1"	311-M4J4	1"	1"	4.59"	2.46"	

Submitted by: