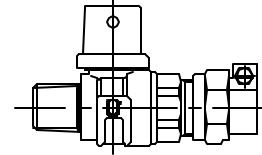


Cambridge Brass  
P.O. Box 249  
140 Orion Place  
Cambridge, Ontario  
Canada N1R 5V1  
Tel: (519) 621-5520  
Fax: (519) 621-8674  
http://www.cambridgebrass.com

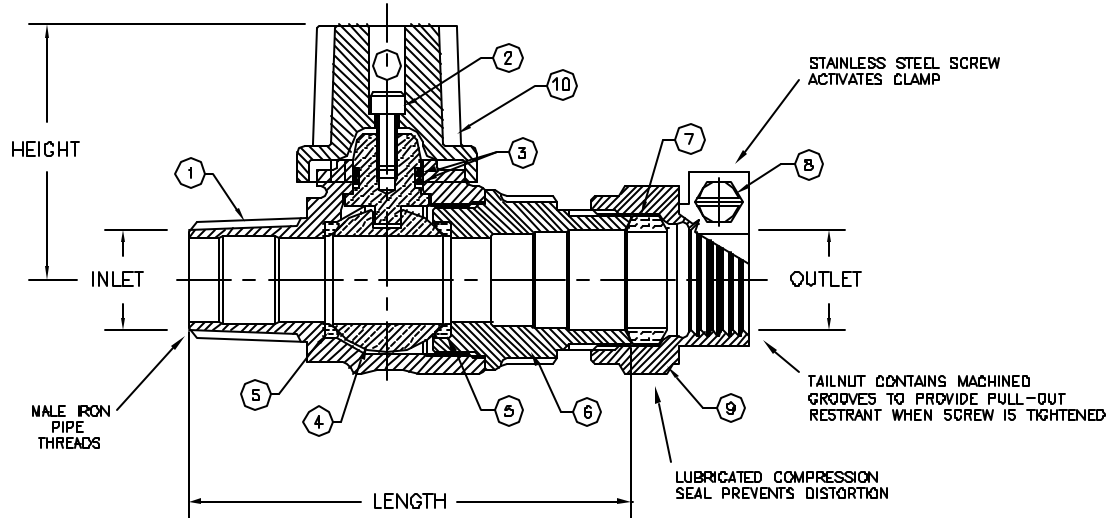


MODEL NO. 311

MALE IRON PIPE x CAMPAK

CORPORATION MAIN STOP  
BALL STYLE, WITH CAP

MALE IRON PIPE THREAD INLET BY CAMPAK FOR COPPER OR PLASTIC TUBING (CTS) OUTLET



- PARTS AND MATERIAL:**
1. VALVE BODY: CAST BRASS, ALLOY C83600
  2. STEM: STAINLESS STEEL, TYPE 303
  3. O-RING: NITRILE RUBBER
  4. BALL: CAST BRASS, NO LEAD
  5. SEATS: TEFLON
  6. ENDBODY: CAST BRASS, ALLOY C83600
  7. COMPRESSION SEAL: NITRILE RUBBER
  8. SCREW: STAINLESS STEEL, TYPE 304
  9. CAMPAK NUT: CAST BRASS, ALLOY C83600
  10. CAP: CAST BRASS, ALLOY C83600

- FEATURES:**
- MANUFACTURED IN COMPLIANCE WITH AWWA STANDARD C800-05 (ASTM B-62 AND ASTM B-584, UNS NO C83600-85-5-5-5).
  - <X> CSA CLASSIFIED TO ANSI/NSF STANDARD 61-8.
  - ROTATION STOPS RESIST 200 FT. LB. TORQUE.
  - BLOWOUT PROOF DESIGN.
  - 300 PSI WORKING PRESSURE.
  - BODY PROVIDES LARGE, RUGGED FLATS FOR PROPER INSTALLATION.

**ORDERING INFORMATION:**  
FULL 360 ROTATION - ADD "R" TO END OF CATALOG NO.  
HANDLE - ADD "H" TO END OF CATALOG NO.

Cambridge Brass considers the information in this submittal form to be correct at the time of publication. Item and option availability, including specifications, are subject to change without notice.

VALVE SIZE	CATALOG NO.	INLET M.I.P.	OUTLET CAMPAK	LENGTH	HEIGHT	APPROX. WT. LBS.	CLASSIFIED NSF 61-8
3/4"	311-M3B3	3/4"	3/4"	3.96"	2.46"		<X>
1"	311-M4B4	1"	1"	4.59"	2.46"		<X>
1 1/2"	311-M6B6	1 1/2"	1 1/2"	6.49"	3.31"		<X>
1 1/2"	311-M6B7	1 1/2"	2"	6.53"	3.31"		
2"	311-M7B7	2"	2"	6.83"	3.61"		

Submitted by: