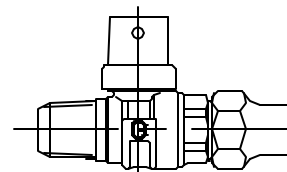


Cambridge Brass
P.O. Box 249
140 Orion Place
Cambridge, Ontario
Canada N1R 5V1
Tel: (519) 621-5520
Fax: (519) 621-8674
http://www.cambridgebrass.com

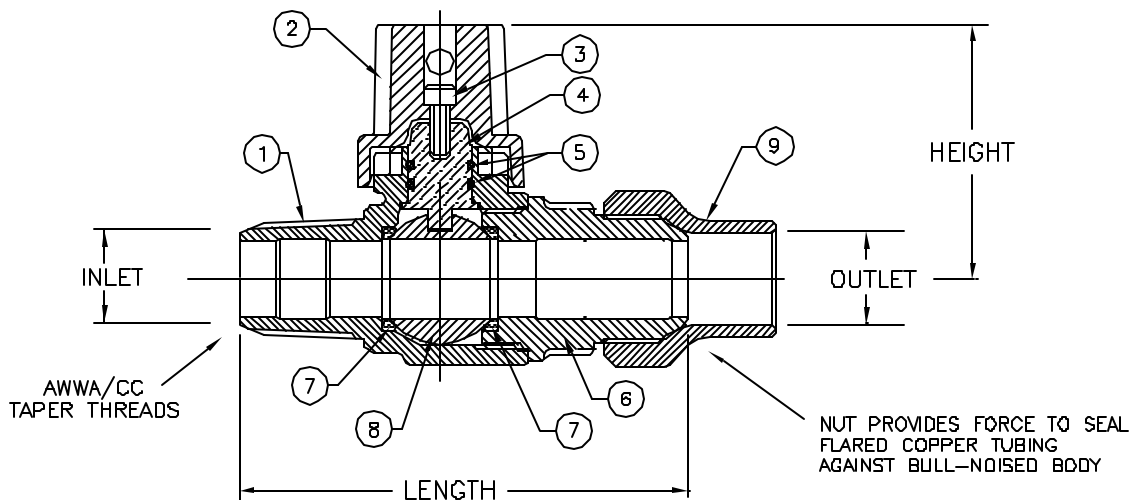


MODEL NO. 311

AWWA (CC) x COPPER FLARE

CORPORATION MAIN STOP
BALL STYLE, WITH CAP

AWWA/CC TAPER THREAD INLET BY COPPER FLARE FOR COPPER TUBING OUTLET



PARTS AND MATERIAL:

1. VALVE BODY: CAST BRASS, ALLOY C83600
2. CAP: CAST BRASS, ALLOY C83600
3. CAP SCREW: STAINLESS STEEL, TYPE 304
4. STEM: STAINLESS STEEL, TYPE 303
5. O-RING: NITRILE RUBBER
6. ENDBODY: CAST BRASS, ALLOY C83600
7. SEATS: TEFLON
8. BALL: COPPER ALLOY, NO LEAD
9. TAILNUT: CAST BRASS, ALLOY C83600

FEATURES:

- MANUFACTURED IN COMPLIANCE WITH AWWA STANDARD C800-05 (ASTM B-62 AND ASTM B-584, UNS NO C83600-85-5-5-5).
- <X> CSA CLASSIFIED TO ANSI/NSF STANDARD 61-8.
- 300 PSI WORKING PRESSURE.
- ROTATION STOPS RESISTS 200 FT-LB TORQUE.
- BLOWOUT PROOF DESIGN.
- BODY PROVIDES LARGE, RUGGED FLATS FOR PROPER INSTALLATION.

ORDERING INFORMATION:

FULL 360 ROTATION = ADD "R" TO END OF CATALOG NO.
HANDLE = ADD "H" TO END OF CATALOG NO.

Cambridge Brass considers the information in this submittal form to be correct at the time of publication. Item and option availability, including specifications, are subject to change without notice.

VALVE SIZE	CATALOG NO.	INLET AWWA/CC	OUTLET C.F.	LENGTH	HEIGHT	APPROX. WT. LBS.	CLASSIFIED NSF 61-8
3/4"	311-A3C3	3/4"	3/4"	4.32"	2.46"		<X>
1"	311-A4C4	1"	1"	4.82"	2.46"		<X>
1 1/2"	311-A6C6	1 1/2"	1 1/2"	6.99"	3.31"		<X>
2"	311-A7C7	2"	2"	7.41"	3.61"		

Submitted by: