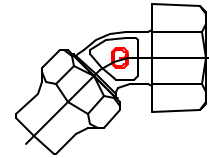


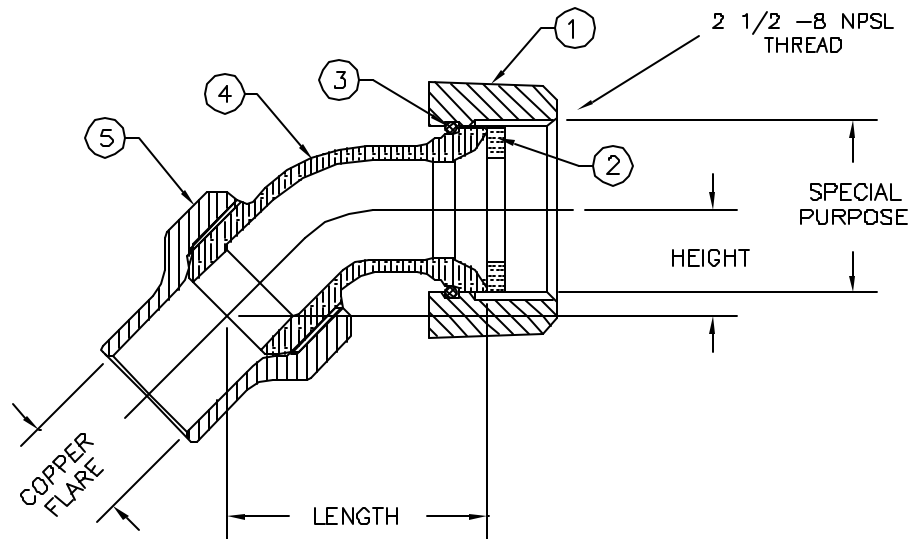
Cambridge Brass
 P.O. Box 249
 140 Orion Place
 Cambridge, Ontario
 Canada N1R 5V1
 Tel: (519) 621-5520
 Fax: (519) 621-8674
<http://www.cambridgebrass.com>



MODEL NO. 307NL

FEMALE COPPER FLARE x
 FEMALE SPECIAL PURPOSE

SWIVEL EIGHTH BEND
 COUPLING



PARTS AND MATERIAL:

- 1. SWIVEL NUT: CAST BRASS, ALLOY C84400
- 2. GASKET: NEOPRENE RUBBER
- 3. RETAINING RING: PHOSPHOR BRONZE
- 4. BODY: CAST BRASS, ALLOY C89833
- 5. CF NUT: CAST BRASS, ALLOY C83600

FEATURES:

- ALL COMPONENTS CONFORM TO AWWA STANDARD C800-05 (ASTM B-584, UNS NO C89833 FOR BRASS PARTS IN CONTACT WITH POTABLE WATER, AND ASTM B-62 AND B-584, UNS NO C83600 FOR ALL OTHER BRASS PARTS).
- SWIVEL NUT ALLOWS PROPER POSITIONING WITHOUT COMPROMISING INSTALLATION TORQUE.
- BODY PROVIDES LARGE RUGGED WRENCH FLATES FOR PROPER INSTALLATION.

Cambridge Brass considers the information in this submittal form to be correct at the time of publication. Item and option availability, including specifications, are subject to change without notice.

CATALOG NO.	FEMALE SPECIAL PURPOSE	COPPER FLARE	LENGTH	HEIGHT	APPROX. WT. LBS.
307NL-TL7C7	2"	2"	4.4"	2.0"	

Submitted by: