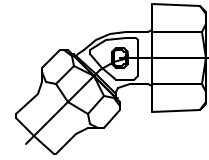


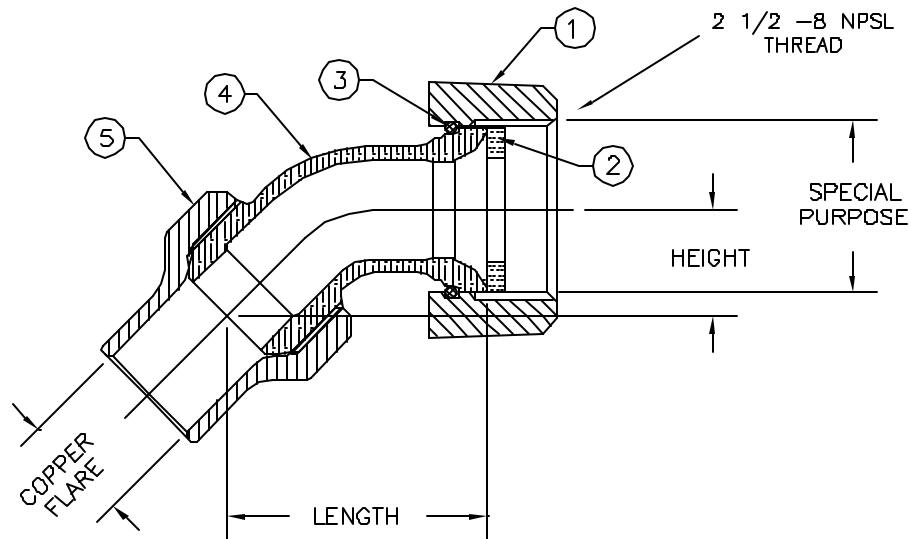
Cambridge Brass
P.O. Box 249
140 Orion Place
Cambridge, Ontario
Canada N1R 5V1
Tel: (519) 621-5520
Fax: (519) 621-8674
http://www.cambridgebrass.com



MODEL NO. 307

FEMALE COPPER FLARE x
FEMALE SPECIAL PURPOSE

SWIVEL EIGHTH BEND
COUPLING



PARTS AND MATERIAL:

1. SWIVEL NUT: CAST BRASS, ALLOY C84400
2. GASKET: NEOPRENE RUBBER
3. RETAINING RING: PHOSPHOR BRONZE
4. BODY: CAST BRASS, ALLOY C83600
5. CF NUT: CAST BRASS, ALLOY C83600

FEATURES:

- MANUFACTURED IN COMPLIANCE WITH AWWA STANDARD C800-05 (ASTM B-62 AND ASTM B-584, UNS NO C83600-85-5-5-5).
- SWIVEL NUT ALLOWS PROPER POSITIONING WITHOUT COMPROMISING INSTALLATION TORQUE.
- BODY PROVIDES LARGE RUGGED WRENCH FLATES FOR PROPER INSTALLATION.

Cambridge Brass considers the information in this submittal form to be correct at the time of publication. Item and option availability, including specifications, are subject to change without notice.

CATALOG NO.	FEMALE SPECIAL PURPOSE	COPPER FLARE	LENGTH	HEIGHT	APPROX. WT. LBS.
307-TL7C7	2"	2"	4.4"	2.0"	

Submitted by: