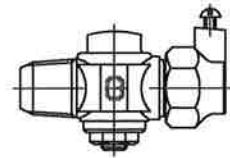


Cambridge Brass
P.O. Box 249
140 Orion Place
Cambridge, Ontario
Canada N1R 5V1
Tel: (519) 621-5520
Fax: (519) 621-8674
http://www.cambridgebrass.com

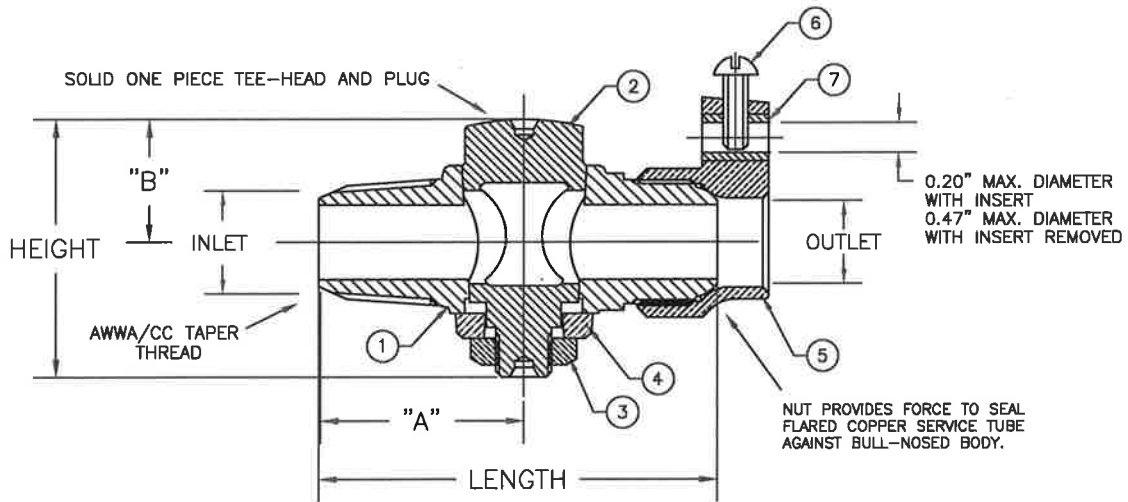


MODEL NO. 302NL

AWWA (CC) x COPPER FLARE ELECTRICAL

CORPORATION MAIN STOP
PLUG STYLE

AWWA/CC TAPER THREAD INLET x COPPER FLARE ELECTRICAL FOR COPPER TUBING OUTLET



PARTS AND MATERIAL:

1. VALVE BODY: CAST BRASS, ALLOY C89833
2. TAPERED PLUG: CAST BRASS, ALLOY C89833
3. STOP NUT: CAST BRASS, ALLOY C83600
4. WASHER: CAST BRASS, ALLOY C83600
5. ELECTRICAL TAILNUT: CAST BRASS, ALLOY C83600
6. SCREW: SILICON BRONZE
7. INSERT: COPPER, ALLOY C14500

FEATURES:

- MANUFACTURED IN COMPLIANCE WITH AWWA STANDARD C800 (ASTM B-62 AND ASTM B-584, UNS NO C83600-85-5-5-5).
- CONFORMS TO ANSI/NSF 61-8
- CONFORMS TO ANSI/NSF 372 (COMPLIANT WITH US Safe Drinking Water Act. PL 111-380)
- 100 PSI WORKING PRESSURE.
- BODY PROVIDES LARGE, RUGGED FLATS FOR PROPER INSTALLATION.
- FULL 360 DEGREE ROTATION.

Cambridge Brass considers the information in this submittal form to be correct at the time of publication. Item and option availability, including specifications, are subject to change without notice.

VALVE SIZE	CATALOG NO.	INLET AWWA (CC)	OUTLET CB ELECT.	HEIGHT	LENGTH	"A"	"B"	APPROX. WT. LBS.
3/4"	302NL-A3CE3	3/4"	3/4"	2.54"	3.99"	2.06"	1.21"	2.0
1"	302NL-A4CE4	1"	1"	2.75"	4.75"	2.41"	1.30"	

Submitted by: