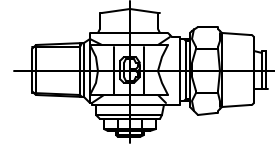


Cambridge Brass
P.O. Box 249
140 Orion Place
Cambridge, Ontario
Canada N1R 5V1
Tel: (519) 621-5520
Fax: (519) 621-8674
http://www.cambridgebrass.com

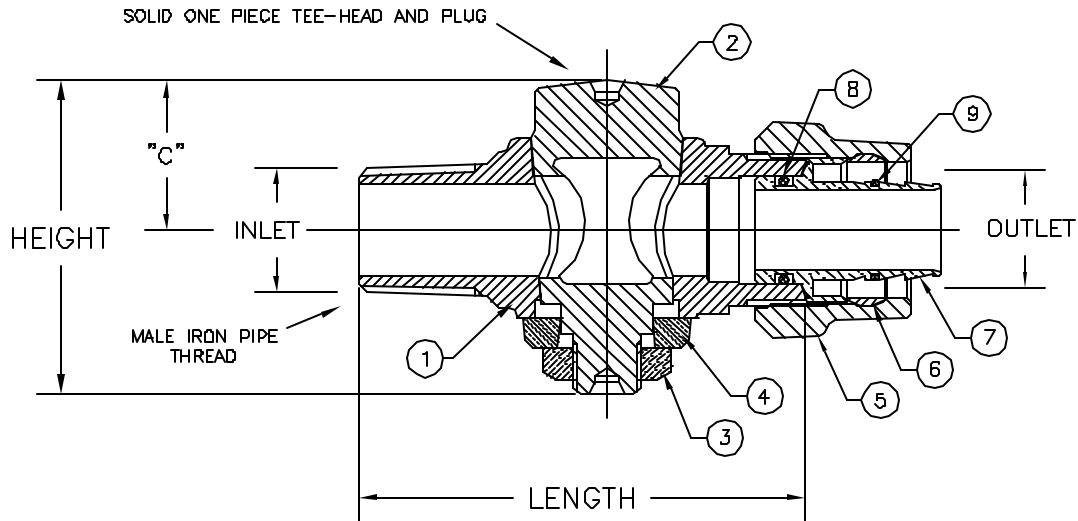


MODEL NO. 302

MALE IRON PIPE x P.E.P.

CORPORATION MAIN STOP
PLUG STYLE

MALE IRON PIPE INLET x P.E.P. COMPRESSION
FOR POLYETHYLENE PLASTIC PIPE SIDR-7, IPS SIZE, OUTLET



PARTS AND MATERIAL:

1. VALVE BODY: CAST BRASS, ALLOY C83600
2. TAPERED PLUG: CAST BRASS, ALLOY C83600
3. STOP NUT: COPPER, ALLOY C36000
4. WASHER: CAST BRASS, ALLOY C83600
5. P.E.P. NUT: CAST BRASS, ALLOY C83600
6. GRIPPER: BRASS, ALLOY C26000
7. INSERT: COPPER, ALLOY C23000
8. O-RING: NITRILE RUBBER
9. O-RING: NITRILE RUBBER

FEATURES:

- MANUFACTURED IN COMPLIANCE WITH AWWA STANDARD C800-05 (ASTM B-62 AND ASTM B-584, UNS NO C83600-85-5-5-5).
- CSA CLASSIFIED TO ANSI/NSF STANDARD 61-B.
- BODY PROVIDES LARGE, RUGGED WRENCH FLATS FOR PROPER INSTALLATION.
- 100 PSI WORKING PRESSURE.

Cambridge Brass considers the information in this submittal form to be correct at the time of publication. Item and option availability, including specifications, are subject to change without notice.

VALVE SIZE	CATALOG NO.	INLET M.I.P.	OUTLET P.E.P.	"C"	HEIGHT	LENGTH	APPROX. WT. LBS.
3/4"	302-M3Z3	3/4"	3/4"	1.21"	2.60"	3.69"	
1"	302-M4Z4	1"	1"	1.30"	2.75"	4.22"	

Submitted by: