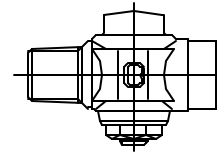


Cambridge Brass
 P.O. Box 249
 140 Orion Place
 Cambridge, Ontario
 Canada N1R 5V1
 Tel: (519) 621-5520
 Fax: (519) 621-8674
 http://www.cambridgebrass.com

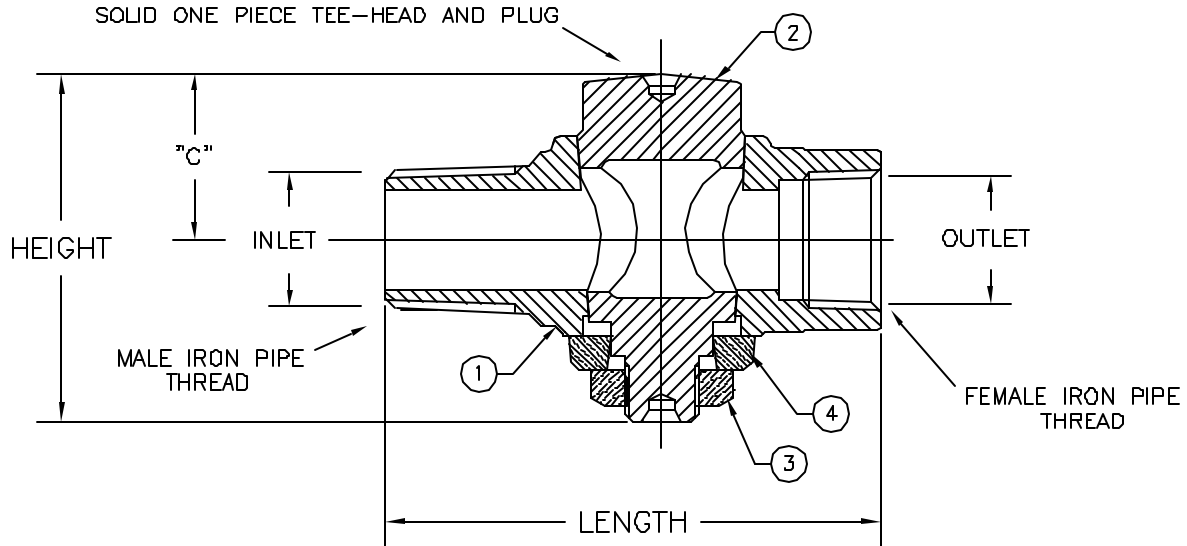


MODEL NO. 302

MALE IRON PIPE x
 FEMALE IRON PIPE

CORPORATION MAIN STOP
 PLUG STYLE

MALE IRON PIPE INLET x FEMALE IRON PIPE THREAD OUTLET



- PARTS AND MATERIAL:
1. VALVE BODY: CAST BRASS, ALLOY C83600
 2. TAPERED PLUG: CAST BRASS, ALLOY C83600
 3. STOP NUT: COPPER, ALLOY C36000
 4. WASHER: CAST BRASS, ALLOY C83600

- FEATURES:
- MANUFACTURED IN COMPLIANCE WITH AWWA STANDARD C800-05 (ASTM B-62 AND ASTM B-584, UNS NO C83600-85-5-5-5).
 - CSA CLASSIFIED TO ANSI/NSF STANDARD 61-B.
 - BODY PROVIDES LARGE, RUGGED WRENCH FLATS FOR PROPER INSTALLATION.
 - 100 PSI WORKING PRESSURE.

Cambridge Brass considers the information in this submittal form to be correct at the time of publication. Item and option availability, including specifications, are subject to change without notice.

VALVE SIZE	CATALOG NO.	INLET M.I.P.	OUTLET F.I.P.	"C"	HEIGHT	LENGTH	APPROX. WT. LBS.
3/4"	302-M3F3	3/4"	3/4"	1.21"	2.60"	3.69"	1.3
1"	302-M4F4	1"	1"	1.30"	2.75"	4.35"	2.3

Submitted by: