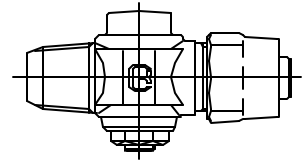


Cambridge Brass
P.O. Box 249
140 Orion Place
Cambridge, Ontario
Canada N1R 5V1
Tel: (519) 621-5520
Fax: (519) 621-8674
http://www.cambridgebrass.com

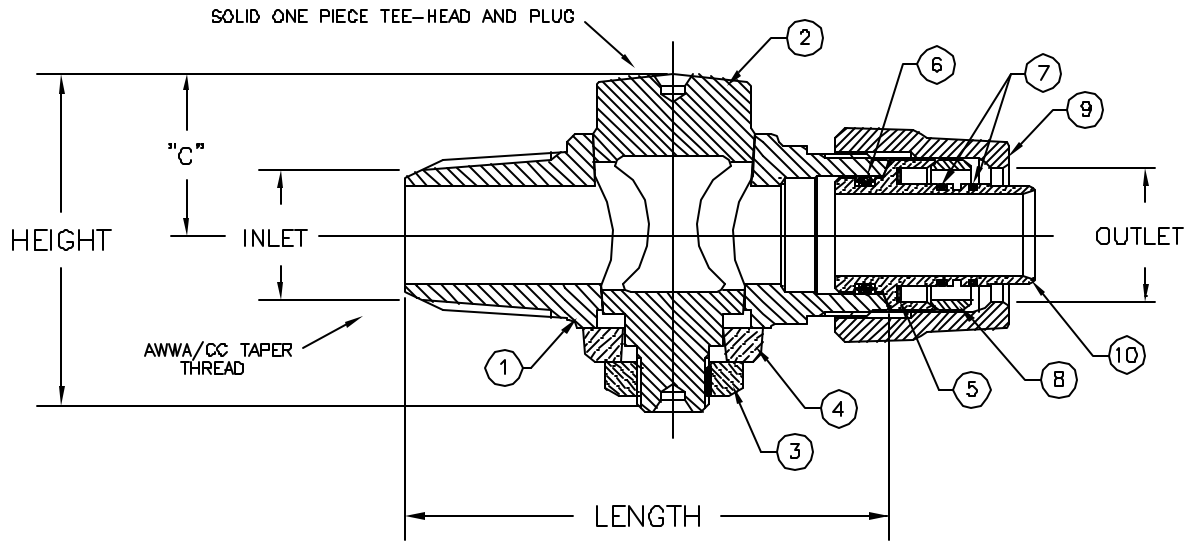


MODEL NO. 302

AWWA (CC) x KITEC

CORPORATION MAIN STOP
PLUG STYLE

AWWA/CC TAPER THREAD INLET x KITEC COMPRESSION OUTLET



PARTS AND MATERIAL:

1. VALVE BODY: CAST BRASS, ALLOY C83600
2. TAPERED PLUG: CAST BRASS, ALLOY C83600
3. STOP NUT: COPPER, ALLOY C36000
4. WASHER: CAST BRASS, ALLOY C83600
5. INSULATOR: POLYETHYLENE
6. O-RING: NITRILE RUBBER
7. O-RING: NITRILE RUBBER
8. GRIPPER: BRASS, ALLOY C26000
9. KITEC NUT: CAST BRASS, ALLOY C83600
10. INSERT: COPPER, ALLOY C23000

FEATURES:

- MANUFACTURED IN COMPLIANCE WITH AWWA STANDARD C800-05 (ASTM B62 AND ASTM B-584, UNS NO C83600-85-5-5-5).
- CSA CLASSIFIED TO ANSI/NSF STANDARD 61-B.
- BODY PROVIDES LARGE, RUGGED WRENCH FLATS FOR PROPER INSTALLATION.
- 100 PSI WORKING PRESSURE.

Cambridge Brass considers the information in this submittal form to be correct at the time of publication. Item and option availability, including specifications, are subject to change without notice.

VALVE SIZE	CATALOG NO.	INLET AWWA (CC)	OUTLET KITEC	"C"	HEIGHT	LENGTH	APPROX. WT. LBS.
3/4"	302-A3K3	3/4"	3/4"	1.21"	2.60"	3.69"	
1"	302-A4K4	1"	1"	1.30"	2.75"	4.22"	

Submitted by: