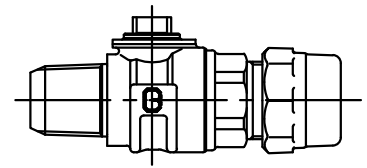


Cambridge Brass  
P.O. Box 249  
140 Orion Place  
Cambridge, Ontario  
Canada N1R 5V1  
Tel: (519) 621-5520  
Fax: (519) 621-8674  
http://www.cambridgebrass.com

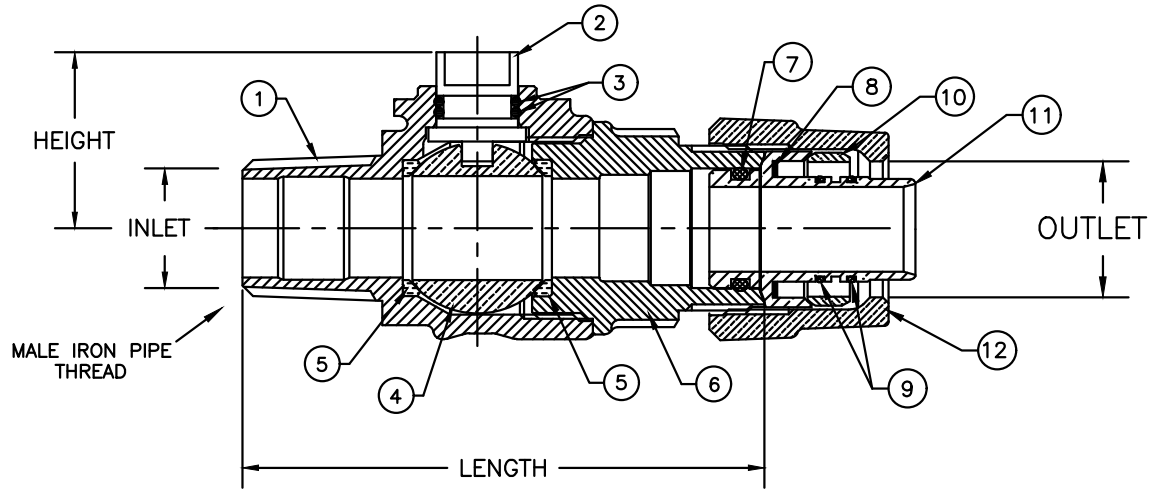


MODEL NO. 301NL

MALE IRON PIPE x C903

CORPORATION MAIN STOP  
BALL STYLE

MALE IRON PIPE THREAD INLET BY C903 OUTLET



**PARTS AND MATERIAL:**

- 1. VALVE BODY: CAST BRASS, ALLOY C89833
- 2. STEM: STAINLESS STEEL, TYPE 303
- 3. O-RING: NITRILE RUBBER
- 4. BALL: CAST BRASS, ALLOY C89833
- 5. SEATS: TEFLON
- 6. ENDBODY: CAST BRASS, ALLOY C89833
- 7. O-RING: NITRILE RUBBER
- 8. INSULATOR: POLYETHYLENE
- 9. O-RING: NITRILE RUBBER
- 10. GRIPPER: BRASS, ALLOY C51000
- 11. INSERT: COPPER, ALLOY C23000
- 12. C903 NUT: CAST BRASS, ALLOY C83600

**FEATURES:**

- ALL COMPONENTS CONFORM TO AWWA C800 (ASTM B-584, UNS NO C89833 FOR BRASS PARTS IN CONTACT WITH POTABLE WATER, AND ASTM B-62 AND B-584, UNS NO C83600 FOR ALL OTHER BRASS PARTS).
- CONFORMS TO ANSI/NSF 61-8
- CONFORMS TO ANSI/NSF 372 (COMPLIANT WITH US Safe Drinking Water Act. PL 111-380)
- BLOWOUT PROOF DESIGN.
- 300 PSI WORKING PRESSURE.
- BODY PROVIDES LARGE, RUGGED FLATS FOR PROPER INSTALLATION.
- FULL 360 DEGREE ROTATION.

Cambridge Brass considers the information in this submittal form to be correct at the time of publication. Item and option availability, including specifications, are subject to change without notice.

VALVE SIZE	CATALOG NO.	INLET M.I.P.	OUTLET C903	LENGTH	HEIGHT	APPROX. WT. LBS.
3/4"	301NL-M3K3	3/4"	3/4"	3.96"	1.33"	1.8
1"	301NL-M4K4	1"	1"	4.59"	1.51"	2.7

Submitted by: