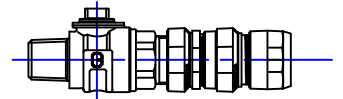


Cambridge Brass  
P.O. Box 249  
140 Orion Place  
Cambridge, Ontario  
Canada N1R 5V1  
Tel: (519) 621-5520  
Fax: (519) 621-8674  
http://www.cambridgebrass.com

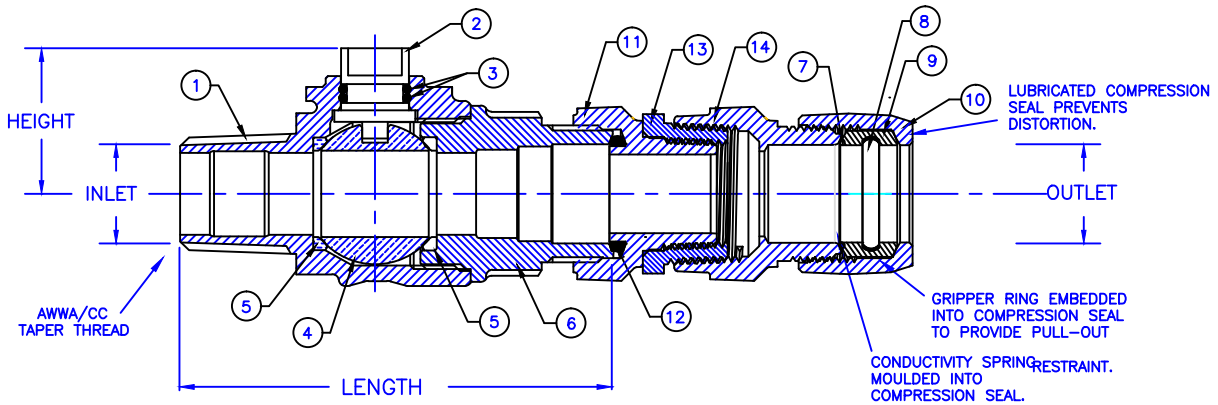


MODEL NO. 301NL

AWWA (CC) x CB COMPRESSION  
INSULATED

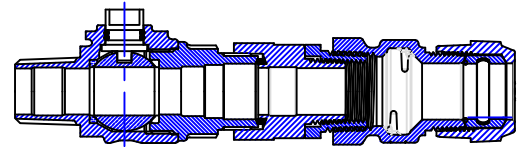
CORPORATION MAIN STOP  
BALL STYLE

AWWA/CC TAPER THREAD INLET BY CB COMPRESSION FOR COPPER OR PLASTIC TUBING (CTS) OUTLET  
WITH PROTECTION AGAINST SERVICE LINE ELECTROLYSIS

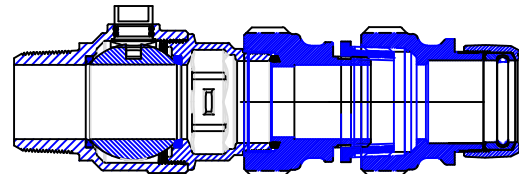


PARTS AND MATERIAL:

1. VALVE BODY: CAST BRASS, ALLOY C89833
2. STEM: STAINLESS STEEL, TYPE 303
3. O-RING: NITRILE RUBBER
4. BALL: CAST BRASS, ALLOY C89833
5. SEATS: TEFLON
6. ENDBODY: CAST BRASS, ALLOY C89833
7. CONDUCTOR SPRING: BRASS
8. GRIPPER: STAINLESS STEEL, TYPE 302
9. COMPRESSION SEAL: NITRILE RUBBER
10. TAILNUT: CAST BRASS, ALLOY C83600
11. FEMALE COMPRESSION BODY: CAST BRASS, ALLOY C89833
12. SEAL: NITRILE RUBBER
13. INSULATOR: NYLON
14. INSULATOR BODY: CAST BRASS, ALLOY C89833



301NL-A3HI3 CONFIGURATION



301NL-A6HI6 & 301NL-A7HI7 CONFIGURATION

FEATURES:

- MANUFACTURED IN COMPLIANCE WITH AWWA STANDARD C800-05 (ASTM B-584, UNS NO C89833).
- CONFORMS TO ANSI/NSF 61-8
- CONFORMS TO ANSI/NSF 372 (COMPLIANT WITH US Safe Drinking Water Act, PL 111-380)
- BLOWOUT PROOF DESIGN.
- 300 PSI WORKING PRESSURE.
- BODY PROVIDES LARGE, RUGGED FLATS FOR PROPER INSTALLATION.
- FULL 360 DEGREE ROTATION.

Cambridge Brass considers the information in this submittal form to be correct at the time of publication. Item and option availability, including specifications, are subject to change without notice.

VALVE SIZE	CATALOG NO.	INLET AWWA/CC	OUTLET CB COMP.	HEIGHT	LENGTH	APPROX. WT. LBS.
3/4"	301NL-A3HI3	3/4"	3/4"	1.33"	4.05"	2.8
1"	301NL-A4HI4	1"	1"	1.51"	4.59"	4.8
1 1/2"	301NL-A6HI6	1 1/2"	1 1/2"	2.17"	6.49"	11.5
2"	301NL-A7HI7	2"	2"	2.47"	6.78"	18.5

Submitted by: