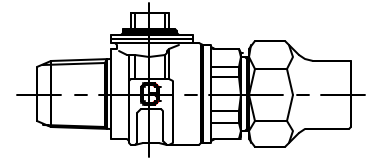


Cambridge Brass  
P.O. Box 249  
140 Orion Place  
Cambridge, Ontario  
Canada N1R 5V1  
Tel: (519) 621-5520  
Fax: (519) 621-8674  
http://www.cambridgebrass.com

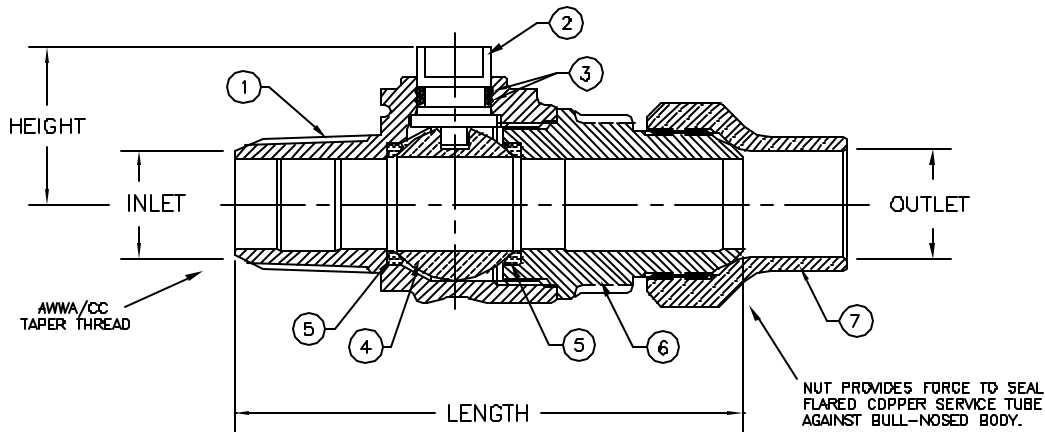


MODEL NO. 301NL

AWWA (CC) x COPPER FLARE

CORPORATION MAIN STOP  
BALL STYLE

AWWA/CC TAPER THREAD INLET BY COPPER FLARE FOR COPPER TUBING OUTLET



**PARTS AND MATERIAL:**

- 1. VALVE BODY: CAST BRASS, ALLOY C89833
- 2. STEM: STAINLESS STEEL, TYPE 303
- 3. O-RING: NITRILE RUBBER
- 4. BALL: CAST BRASS, ALLOY C89833
- 5. SEATS: TEFLON
- 6. ENDBODY: CAST BRASS, ALLOY C89833
- 7. COPPER FLARE NUT: CAST BRASS, ALLOY C83600

**FEATURES:**

- MANUFACTURED IN COMPLIANCE WITH AWWA STANDARD C800-05 (ASTM B-584, UNS NO C89833).
- CSA CLASSIFIED TO ANSI/NSF STANDARD 61-B.
- BLOWOUT PROOF DESIGN.
- 300 PSI WORKING PRESSURE.
- BODY PROVIDES LARGE, RUGGED FLATS FOR PROPER INSTALLATION.
- FULL 360 DEGREE ROTATION

Cambridge Brass considers the information in this submittal form to be correct at the time of publication. Item and option availability, including specifications, are subject to change without notice.

| VALVE SIZE | CATALOG NO. | INLET AWWA (CC) | OUTLET "CF" | LENGTH | HEIGHT | APPROX. WT. LBS. |
|------------|-------------|-----------------|-------------|--------|--------|------------------|
| 3/4"       | 301NL-A3C3  | 3/4"            | 3/4"        | 4.32"  | 1.33"  | 1.9              |
| 1"         | 301NL-A4C4  | 1"              | 1"          | 4.82"  | 1.51"  | 2.9              |
| 1 1/4"     | 301NL-A5C5  | 1 1/4"          | 1 1/4"      | 6.37"  | 2.17"  | 8.4              |
| 1 1/2"     | 301NL-A6C6  | 1 1/2"          | 1 1/2"      | 6.99"  | 2.17"  | 8.5              |
| 2"         | 301NL-A7C7  | 2"              | 2"          | 7.41"  | 2.47"  | 12.8             |

Submitted by: