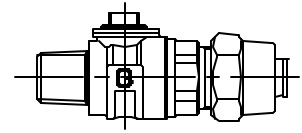


Cambridge Brass
 P.O. Box 249
 140 Orion Place
 Cambridge, Ontario
 Canada N1R 5V1
 Tel: (519) 621-5520
 Fax: (519) 621-8674
 http://www.cambridgebrass.com

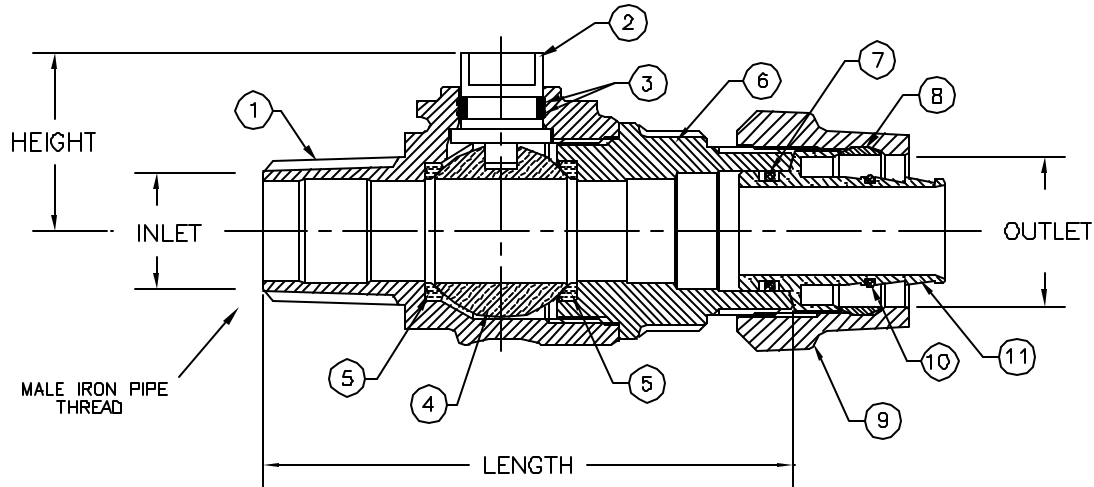


MODEL NO. 301

MALE IRON PIPE x P.E.P.

CORPORATION MAIN STOP
 BALL STYLE

MALE IRON PIPE THREAD INLET BY P.E.P. FOR POLYETHYLENE PLASTIC PIPE SIDR-7, IPS SIZE, OUTLET



PARTS AND MATERIAL:

- 1. VALVE BODY: CAST BRASS, ALLOY C83600
- 2. STEM: STAINLESS STEEL, TYPE 303
- 3. O-RING: NITRILE RUBBER
- 4. BALL: COPPER ALLOY, NO LEAD
- 5. SEATS: TEFLON
- 6. ENDBODY: CAST BRASS, ALLOY C83600
- 7. O-RING: NITRILE RUBBER
- 8. GRIPPER: BRASS, ALLOY C26000
- 9. P.E.P. NUT: CAST BRASS, ALLOY C83600
- 10. O-RING: NITRILE RUBBER
- 11. INSERT: COPPER, ALLOY C23000

FEATURES:

- MANUFACTURED IN COMPLIANCE WITH AWWA STANDARD C800-05 (ASTM B-62 AND ASTM B-584, UNS NO C83600-85-5-5-5).
- <X> CSA CLASSIFIED TO ANSI/NSF STANDARD 61-8.
- BLOWOUT PROOF DESIGN.
- 300 PSI WORKING PRESSURE.
- FULL 360 DEGREE ROTATION.
- BODY PROVIDES LARGE, RUGGED FLATS FOR PROPER INSTALLATION.

Cambridge Brass considers the information in this submittal form to be correct at the time of publication. Item and option availability, including specifications, are subject to change without notice.

VALVE SIZE	CATALOG NO.	INLET M.I.P.	OUTLET P.E.P.	LENGTH	HEIGHT	APPROX. WT. LBS.	CLASSIFIED NSF 61-8
3/4"	301-M3Z3	3/4"	3/4"	3.96"	1.33"		<X>
1"	301-M4Z4	1"	1"	4.59"	1.51"		<X>
1 1/2"	301-M6Z6	1 1/2"	1 1/2"	6.49"	2.17"		<X>
1 1/2"	301-M6Z7	1 1/2"	2"	6.53"	2.17"		
2"	301-M7Z7	2"	2"	6.83"	2.47"		

Submitted by: