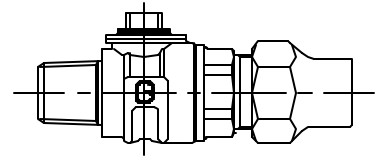


Cambridge Brass
P.O. Box 249
140 Orion Place
Cambridge, Ontario
Canada N1R 5V1
Tel: (519) 621-5520
Fax: (519) 621-8674
http://www.cambridgebrass.com

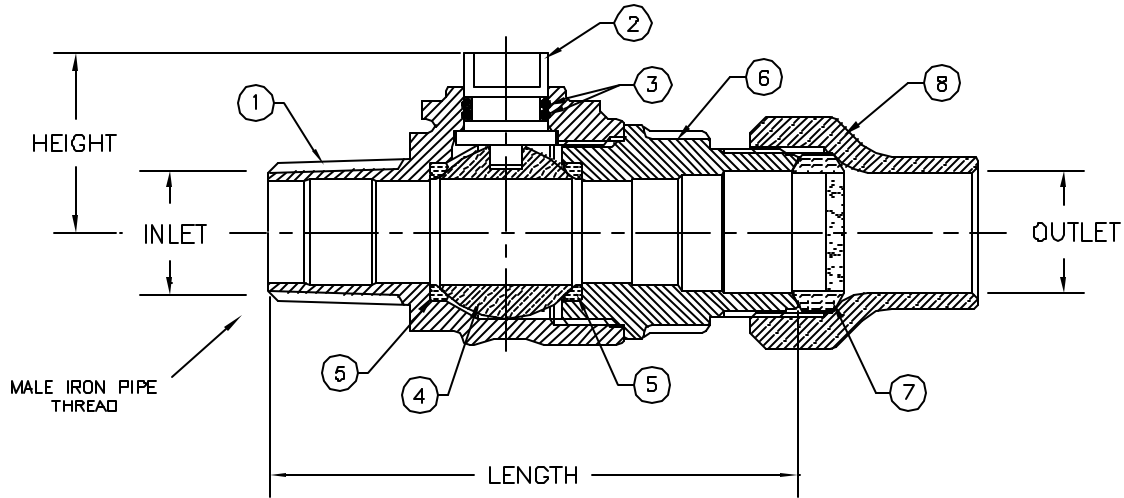


MODEL NO. 301

MALE IRON PIPE x HAYSTITE

CORPORATION MAIN STOP
BALL STYLE

MALE IRON PIPE THREAD INLET BY HAYSTITE FOR COPPER OR PLASTIC TUBING (CTS) OUTLET



PARTS AND MATERIAL:

- 1. VALVE BODY: CAST BRASS, ALLOY C83600
- 2. STEM: STAINLESS STEEL, TYPE 303
- 3. O-RING: NITRILE RUBBER
- 4. BALL: COPPER ALLOY, NO LEAD
- 5. SEATS: TEFLON
- 6. ENDBODY: CAST BRASS, ALLOY C83600
- 7. COMPRESSION SEAL: NITRILE RUBBER, WITH GRIT
- 8. HAYSTITE NUT: CAST BRASS, ALLOY C83600

FEATURES:

- MANUFACTURED IN COMPLIANCE WITH AWWA STANDARD C800-05.
- BLOWOUT PROOF DESIGN.
- 300 PSI WORKING PRESSURE.
- BODY PROVIDES LARGE, RUGGED FLATS FOR PROPER INSTALLATION.
- 360 DEGREE ROTATION.

Cambridge Brass considers the information in this submittal form to be correct at the time of publication. Item and option availability, including specifications, are subject to change without notice.

VALVE SIZE	CATALOG NO.	INLET M.I.P.	OUTLET HAYSTITE	LENGTH	HEIGHT	APPROX. WT. LBS.
3/4"	301-M3J3	3/4"	3/4"	3.96"	1.33"	
1"	301-M4J4	1"	1"	4.59"	1.51"	

Submitted by: