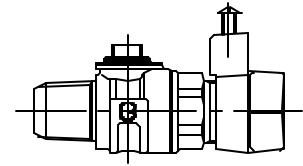


Cambridge Brass  
P.O. Box 249  
140 Orion Place  
Cambridge, Ontario  
Canada N1R 5V1  
Tel: (519) 621-8520  
Fax: (519) 621-8674  
http://www.cambridgebrass.com

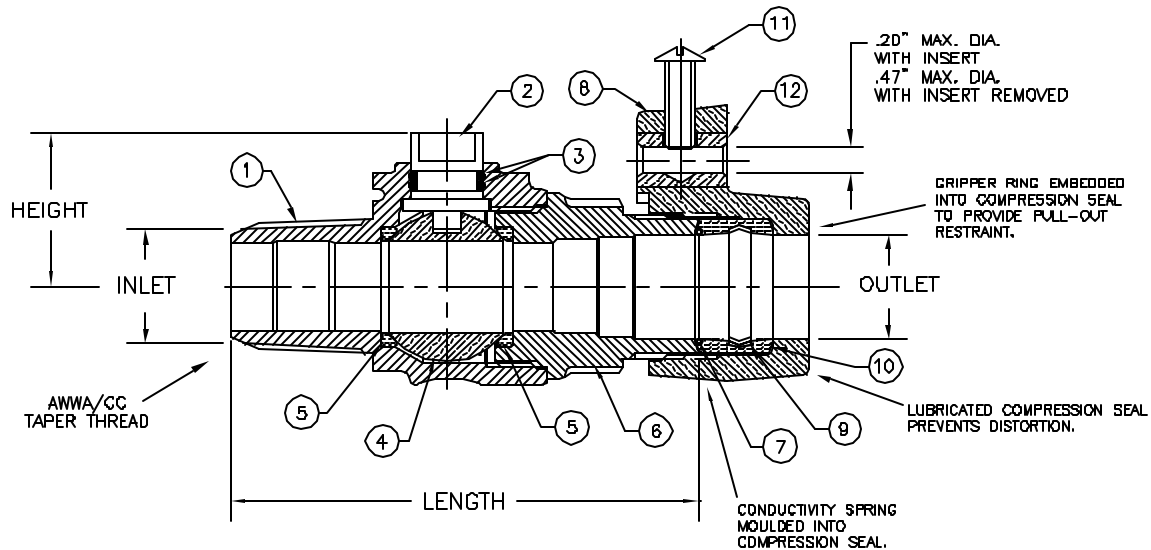


MODEL NO. 301

AWWA (CC) x CB COMPRESSION ELECTRICAL

CORPORATION MAIN STOP  
BALL STYLE

AWWA/CC TAPER THREAD INLET BY CB COMPRESSION FOR COPPER OR PLASTIC TUBING (CTS) OUTLET



**PARTS AND MATERIAL:**

1. VALVE BODY: CAST BRASS, ALLOY C83600
2. STEM: STAINLESS STEEL, TYPE 303
3. O-RING: NITRILE RUBBER
4. BALL: CAST BRASS, ALLOY C89B33
5. SEATS: TEFLON
6. ENDBODY: CAST BRASS, ALLOY C83600
7. CONDUCTOR SPRING: BRASS
8. CB ELECT. TRAILNUT: CAST BRASS, ALLOY C83600
9. GRIPPER: STAINLESS STEEL, TYPE 302
10. COMPRESSION SEAL: NITRILE RUBBER
11. SCREW: SILICON BRONZE
12. INSERT: COPPER, ALLOY C14500

**FEATURES:**

- MANUFACTURED IN COMPLIANCE WITH AWWA STANDARD C800-05 (ASTM B-62 AND ASTM B-584, UNS NO C83600-85-5-5-5).
- <X> CSA CLASSIFIED TO ANSI/NSF STANDARD 61-8.
- BLOWOUT PROOF DESIGN.
- 300 PSI WORKING PRESSURE.
- BODY PROVIDES LARGE, RUGGED FLATS FOR PROPER INSTALLATION.
- FULL 360 DEGREE ROTATION.

Cambridge Brass considers the information in this submittal form to be correct at the time of publication. Item and option availability, including specifications, are subject to change without notice.

VALVE SIZE	CATALOG NO.	INLET AWWA / CC	OUTLET CB ELECT.	LENGTH	HEIGHT	APPROX. WT. LBS.	CLASSIFIED NSF 61-8
3/4"	301-A3HE3	3/4"	3/4"	4.05"	1.33"	2.0	<X>
1"	301-A4HE4	1"	1"	4.59"	1.51"	3.0	<X>
1 1/2"	301-A6HE6	1 1/2"	1 1/2"	6.49"	2.17"		<X>
1 1/2"	301-A6HE7	1 1/2"	2"	6.53"	2.17"		
2"	301-A7HE7	2"	2"	6.78"	2.47"	11.2	

Submitted by: