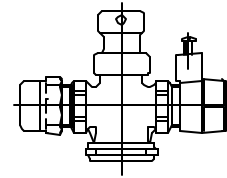


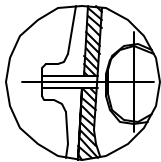
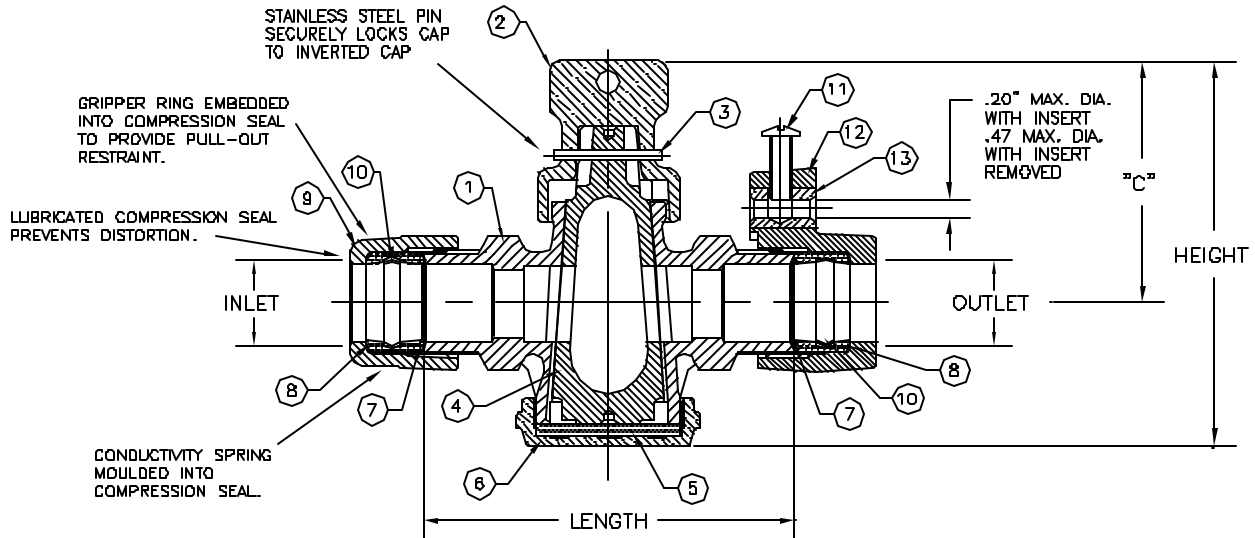
Cambridge Brass
P.O. Box 249
14D Orion Place
Cambridge, Ontario
Canada N1R 5V1
Tel: (519) 621-5520
Fax: (519) 621-8674
http://www.cambridgebrass.com



MODEL NO. 293

CB COMPRESSION x
CB COMPRESSION ELECTRICAL

CORPORATION STOP
INVERTED KEY PLUG STYLE
WITH DRAIN



DRAIN DETAIL

PARTS AND MATERIAL:

1. VALVE BODY: CAST BRASS, ALLOY C83600
2. TOP CAP: CAST BRASS, ALLOY C84400
3. SPIRAL PIN: STAINLESS STEEL, TYPE 302
4. PLUG: CAST BRASS, ALLOY C83600
5. BOTTOM WASHER: POLYETHYLENE
6. BOTTOM CAP: CAST BRASS, ALLOY C83600
7. CONDUCTOR SPRING: BRASS
8. COMPRESSION SEAL: NITRILE RUBBER
9. TAILNUT: CAST BRASS, ALLOY C83600
10. GRIPPER: STAINLESS STEEL, TYPE 302
11. SCREW: SILICON BRONZE
12. ELECTRICAL TAILNUT: CAST BRASS, ALLOY C83600
13. INSERT: COPPER, ALLOY C14500

FEATURES:

- MANUFACTURED IN COMPLIANCE WITH AWWA STANDARD C800-05 (ASTM B-62 AND ASTM B-584, UNS NO C83600-85-5-5-5).
- CSA CLASSIFIED TO ANSI/NSF STANDARD 61-8.
- ENCAPSULATED LUGS UNDER CAP PROVIDE 90 DEGREE OPEN TO CLOSE OPERATION.
- HOLE FOR ATTACHING HANDLE IS PROVIDED IN CAP.
- 100 PSI WORKING PRESSURE.

Cambridge Brass considers the information in this submittal form to be correct at the time of publication. Item and option availability, including specifications, are subject to change without notice.

VALVE SIZE	CATALOG NO.	INLET CB COMP.	OUTLET CB ELECT.	"C"	HEIGHT	LENGTH	APPROX. WT. LBS.
3/4"	293-H3HE3	3/4"	3/4"	2.82"	4.48"	4.31"	

Submitted by: