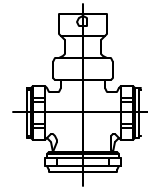


Cambridge Brass
P.O. Box 249
140 Orion Place
Cambridge, Ontario
Canada N1R 5V1
Tel: (519) 621-5520
Fax: (519) 621-8674
http://www.cambridgebrass.com

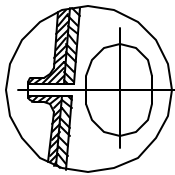
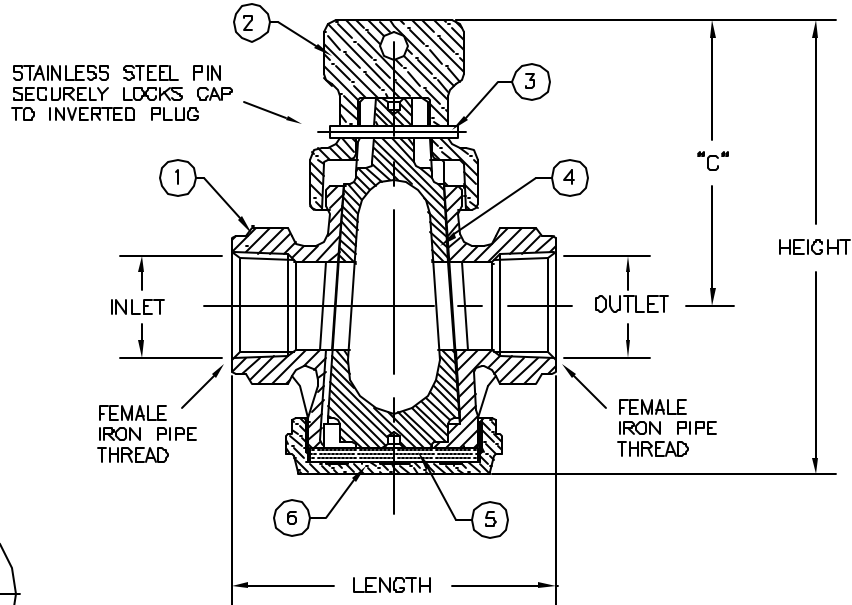


MODEL NO. 293

FEMALE IRON PIPE x FEMALE IRON PIPE

CURB STOP
INVERTED KEY PLUG STYLE
WITH DRAIN

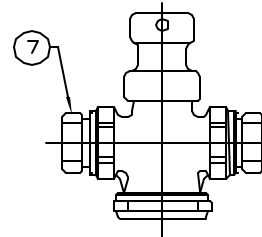
FOR THREADED PIPE



DRAIN DETAIL

PARTS AND MATERIAL:

1. VALVE BODY: CAST BRASS, ALLOY C83600
2. TOP CAP: CAST BRASS, ALLOY C84400
3. SPIRAL PIN: STAINLESS STEEL, TYPE 302
4. PLUG: CAST BRASS, ALLOY C83600
5. BOTTOM WASHER: POLYETHYLENE
6. BOTTOM CAP: CAST BRASS, ALLOY C83600
7. BUSHING: CAST BRASS, ALLOY C83600



1/2" CONFIGURATION

FEATURES:

- MANUFACTURED IN COMPLIANCE WITH AWWA STANDARD C800-05 (ASTM B-62 AND ASTM B-584, UNS NO C83600-B5-5-5-5).
- CSA CLASSIFIED TO ANSI/NSF STANDARD 61-8.
- ENCAPSULATED LUGS UNDER CAP PROVIDE 90 DEGREE OPEN TO CLOSE OPERATION.
- HOLE FOR ATTACHING CURB BOX ROD IS PROVIDED IN CAP.
- 100 PSI WORKING PRESSURE.

Cambridge Brass considers the information in this submittal form to be correct at the time of publication. Item and option availability, including specifications, are subject to change without notice.

VALVE SIZE	CATALOG NO.	INLET F.I.P.	OUTLET F.I.P.	"C"	HEIGHT	LENGTH	APPROX. WT. LBS.
1/2"	293-F1F1	1/2"	1/2"	2.82"	4.48"	4.36"	
3/4"	293-F3F3	3/4"	3/4"	2.82"	4.48"	3.20"	

Submitted by: