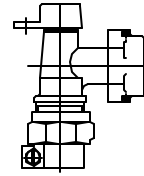


Cambridge Brass
P.O. Box 249
140 Orion Place
Cambridge, Ontario
Canada N1R 5V1
Tel: (519) 621-5520
Fax: (519) 621-8674
http://www.cambridgebrass.com

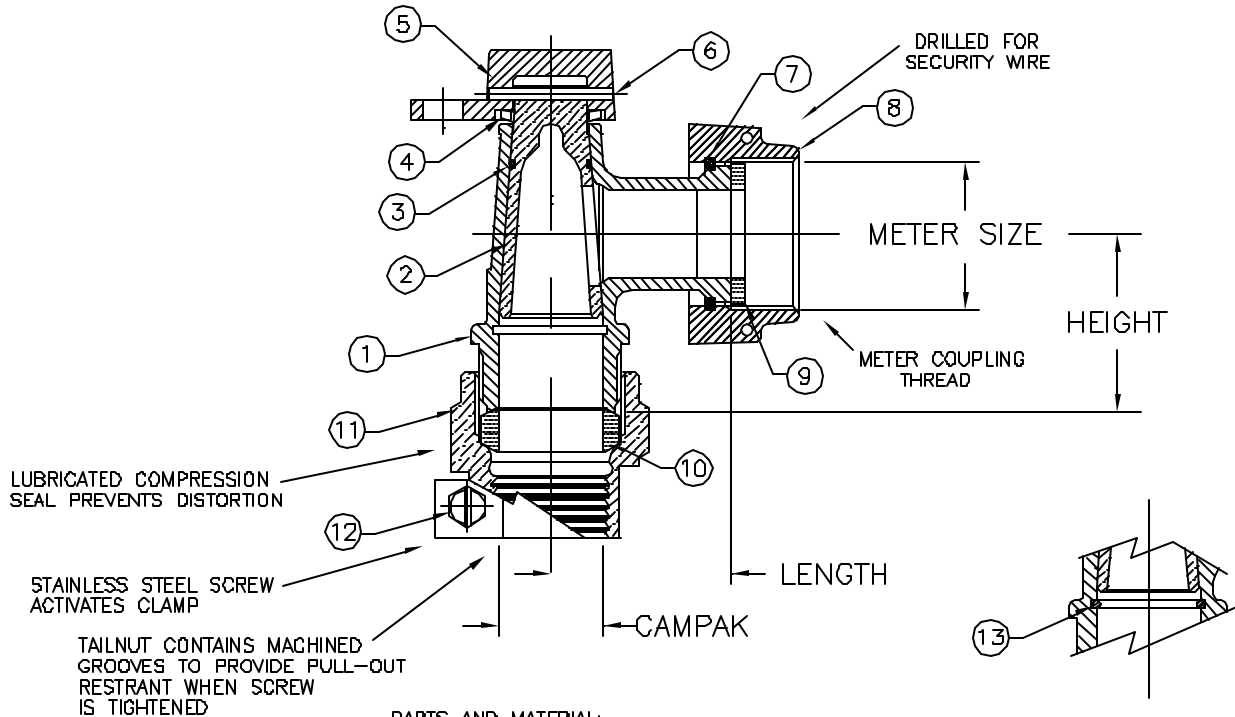


MODEL NO. 292NL

CAMPAK x METER SWIVEL NUT

ANGLE METER
PLUG VALVE

FOR COPPER OR PLASTIC TUBING (CTS) x METER SPUD



292-B4T4 CONFIGURATION

PARTS AND MATERIAL:

1. BODY: CAST BRASS, ALLOY C89833
2. PLUG: CAST BRASS, ALLOY C89833
3. O-RING: NITRILE RUBBER
4. SPRING: PHOSPHOR BRONZE
5. CAP: CAST BRASS, ALLOY C838D0
6. PIN: STAINLESS STEEL, TYPE 304
7. RETAINING RING: PHOSPHOR BRONZE
8. METER SWIVEL NUT: CAST BRASS, ALLOY C84400
9. SEALING WASHER: NITRILE RUBBER
10. COMPRESSION SEAL: NITRILE RUBBER
11. TAILNUT: CAST BRASS, ALLOY C83600
12. SCREW: STAINLESS STEEL, TYPE 304
13. RETAINING RING: PHOSPHOR BRONZE

FEATURES:

- ALL COMPONENTS CONFORM TO AWWA STANDARD C800-05 (ASTM B-584 UNS NO C89833 FOR BRASS PARTS IN CONTACT WITH POTABLE WATER, AND ASTM B-62 AND B-584 UNS NO C83600 FOR ALL OTHER BRASS PARTS).
- LOCKING FOR LOCKING THE VALVE IN A CLOSED POSITION.

Cambridge Brass considers the information in this substantial form to be correct at the time of publication. Item and option availability, including specifications, are subject to change without notice.

VALVE SIZE	CATALOG No.	CAMPAK	METER SIZE	LENGTH	HEIGHT	APPROX. WT. LBS.
3/4"	292NL-B3T3	3/4"	5/8"x3/4" & 3/4"	1.70"	1.69"	
3/4"	292NL-B4T3	1"	5/8"x3/4" & 3/4"	1.70"	1.91"	
1"	292NL-B4T4	1"	1"	2.00"	1.97"	

Submitted by: