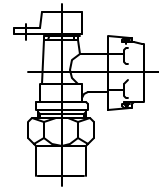


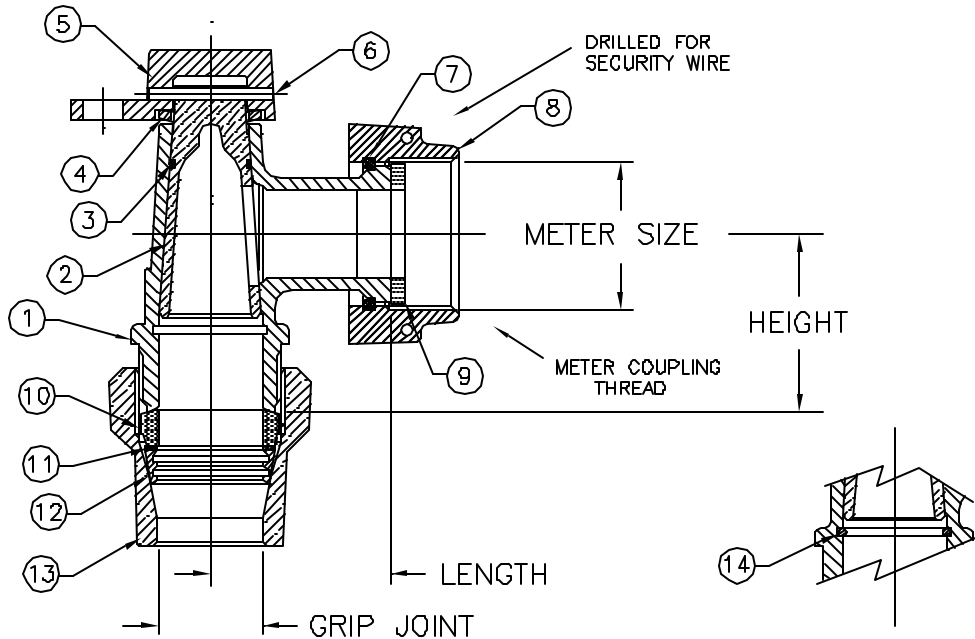
Cambridge Brass
P.O. Box 249
140 Orion Place
Cambridge, Ontario
Canada N1R 5V1
Tel: (519) 621-5520
Fax: (519) 621-8674
http://www.cambridgebrass.com



MODEL NO. 292

GRIP JOINT x
METER SWIVEL NUT

ANGLE METER
PLUG VALVE



292-GJ4T4 CONFIGURATION

PARTS AND MATERIAL:

- 1. BODY: CAST BRASS, ALLOY C83600
- 2. PLUG: CAST BRASS, ALLOY C83600
- 3. O-RING: NITRILE RUBBER
- 4. SPRING: PHOSPHOR BRONZE
- 5. CAP: CAST BRASS, ALLOY C83600
- 6. PIN: STAINLESS STEEL, TYPE 304
- 7. RETAINING RING: PHOSPHOR BRONZE
- 8. METER SWIVEL NUT: CAST BRASS, ALLOY C84400
- 9. SEALING WASHER: NITRILE RUBBER
- 10. GASKET: NITRILE RUBBER
- 11. WASHER: POLYETHYLENE
- 12. GRIPPER: BRASS, ALLOY C26000
- 13. COMPRESSION NUT: CAST BRASS, ALLOY C83600

FEATURES:

- MANUFACTURED IN COMPLIANCE WITH AWWA STANDARD C800-05 (ASTM B-62 AND ASTM B-584, UNS NO C83600-85-5-5-5).
- PADLOCK WING FOR LOCKING VALVE IN CLOSED POSITION.

Cambridge Brass considers the information in this submittal form to be correct at the time of publication. Item and option availability, including specifications, are subject to change without notice.

VALVE SIZE	CATALOG No.	GRIP JOINT	METER SIZE	LENGTH	HEIGHT	APPROX. WT. LBS.
3/4"	292-GJ3T3	3/4"	5/8"x3/4" & 3/4"	1.70"	1.69"	
3/4"	292-GJ4T3	1"	5/8"x3/4" & 3/4"	1.70"	1.91"	
1"	292-GJ4T4	1"	1"	2.00"	1.97"	

Submitted by: