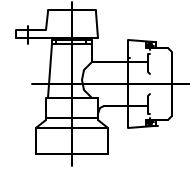


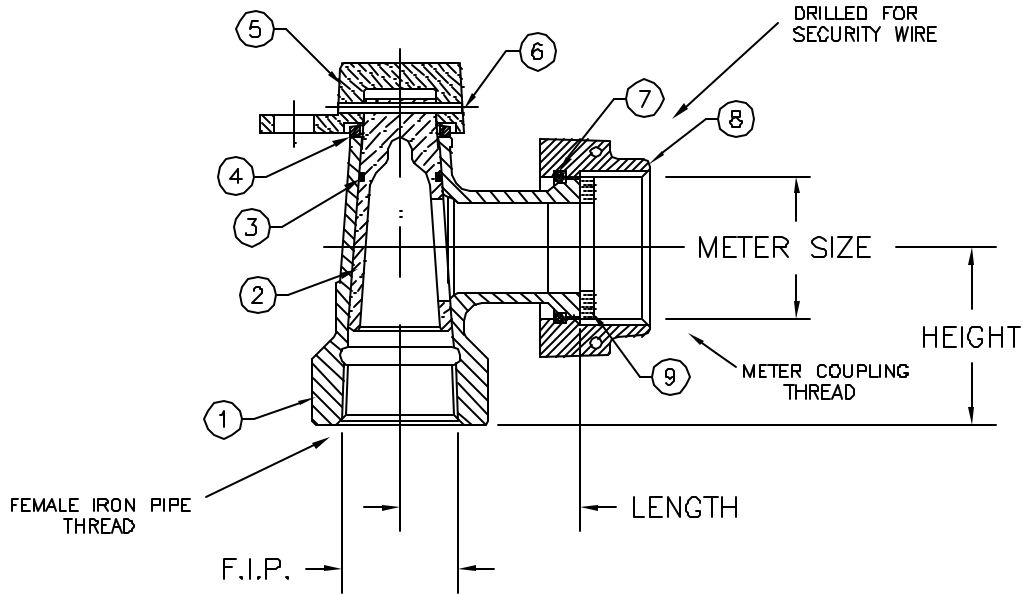
Cambridge Brass  
P.O. Box 249  
140 Orion Place  
Cambridge, Ontario  
Canada N1R 5V1  
Tel: (519) 621-5520  
Fax: (519) 621-8674  
http://www.cambridgebrass.com



MODEL NO. 292

FEMALE IRON PIPE x  
METER SWIVEL NUT

ANGLE METER  
PLUG VALVE



**PARTS AND MATERIAL:**

1. BODY: CAST BRASS, ALLOY C83600
2. PLUG: CAST BRASS, ALLOY C83600
3. O-RING: NITRILE RUBBER
4. SPRING: PHOSPHOR BRONZE
5. CAP: CAST BRASS, ALLOY C83600
6. PIN: STAINLESS STEEL, TYPE 304
7. RETAINING RING: PHOSPHOR BRONZE
8. METER SWIVEL NUT: CAST BRASS, ALLOY C84400
9. SEALING WASHER: NITRILE RUBBER

**FEATURES:**

- MANUFACTURED IN COMPLIANCE WITH AWWA STANDARD C800-D5 (ASTM B-62 AND ASTM B-584, UNS NO C83600-85-5-5-5).
- PADLOCK WING FOR LOCKING VALVE IN CLOSED POSITION.

Cambridge Brass considers the information in this submittal form to be correct at the time of publication. Item and option availability, including specifications, are subject to change without notice.

VALVE SIZE	CATALOG NO.	FEMALE IRON PIPE	METER SIZE	LENGTH	HEIGHT	APPROX. WT. LBS.
3/4"	292-F3T3	3/4"	5/8"x3/4" & 3/4"	1.70"	1.50"	
1"	292-F4T4	1"	1"	2.00"	1.97"	

Submitted by: