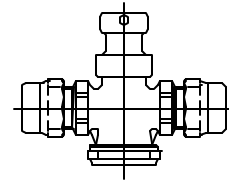


Cambridge Brass
 P.O. Box 249
 140 Orion Place
 Cambridge, Ontario
 Canada N1R 5V1
 Tel: (519) 621-5520
 Fax: (519) 621-8674
 http://www.cambridgebrass.com

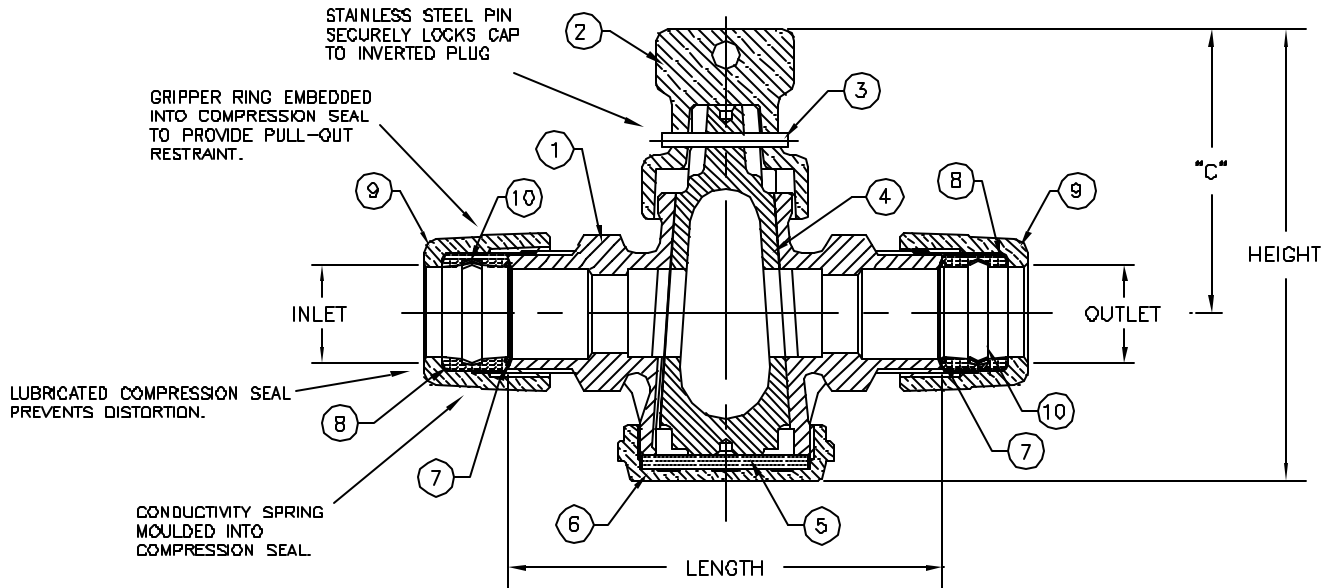


MODEL NO. 290

CB COMPRESSION x CB COMPRESSION

CURB STOP
 INVERTED KEY PLUG STYLE

FOR COPPER OR PLASTIC TUBING (CTS)



PARTS AND MATERIAL:

1. VALVE BODY: CAST BRASS, ALLOY C83600
2. TOP CAP: CAST BRASS, ALLOY C84400
3. SPIRAL PIN: STAINLESS STEEL, TYPE 302
4. PLUG: CAST BRASS, ALLOY C83800
5. BOTTOM WASHER: POLYETHYLENE
6. BOTTOM CAP: CAST BRASS, ALLOY C83600
7. CONDUCTOR SPRING: BRASS
8. COMPRESSION SEAL: NITRILE RUBBER
9. TAILNUT: CAST BRASS, ALLOY C83600
10. GRIPPER: STAINLESS STEEL, TYPE 302

FEATURES:

- MANUFACTURED IN COMPLIANCE WITH AWWA STANDARD C800-05 (ASTM B-62 AND ASTM B-584, UNS NO C83600-85-5-5-5).
- CSA CLASSIFIED TO ANSI/NSF STANDARD 61-8.
- ENCAPSULATED LUGS UNDER CAP PROVIDE 90 DEGREE OPEN TO CLOSE OPERATION.
- HOLE FOR ATTACHING CURB BOX ROD IS PROVIDED IN CAP.
- 100 PSI WORKING PRESSURE.

Cambridge Brass considers the information in this submittal form to be correct at the time of publication. Item and option availability, including specifications, are subject to change without notice.

VALVE SIZE	CATALOG NO.	INLET CB COMP.	OUTLET CB COMP.	"C"	HEIGHT	LENGTH	APPROX. WT. LBS.
3/4"	290-H3H3	3/4"	3/4"	2.82"	4.48"	4.31"	

Submitted by: