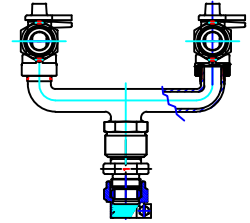


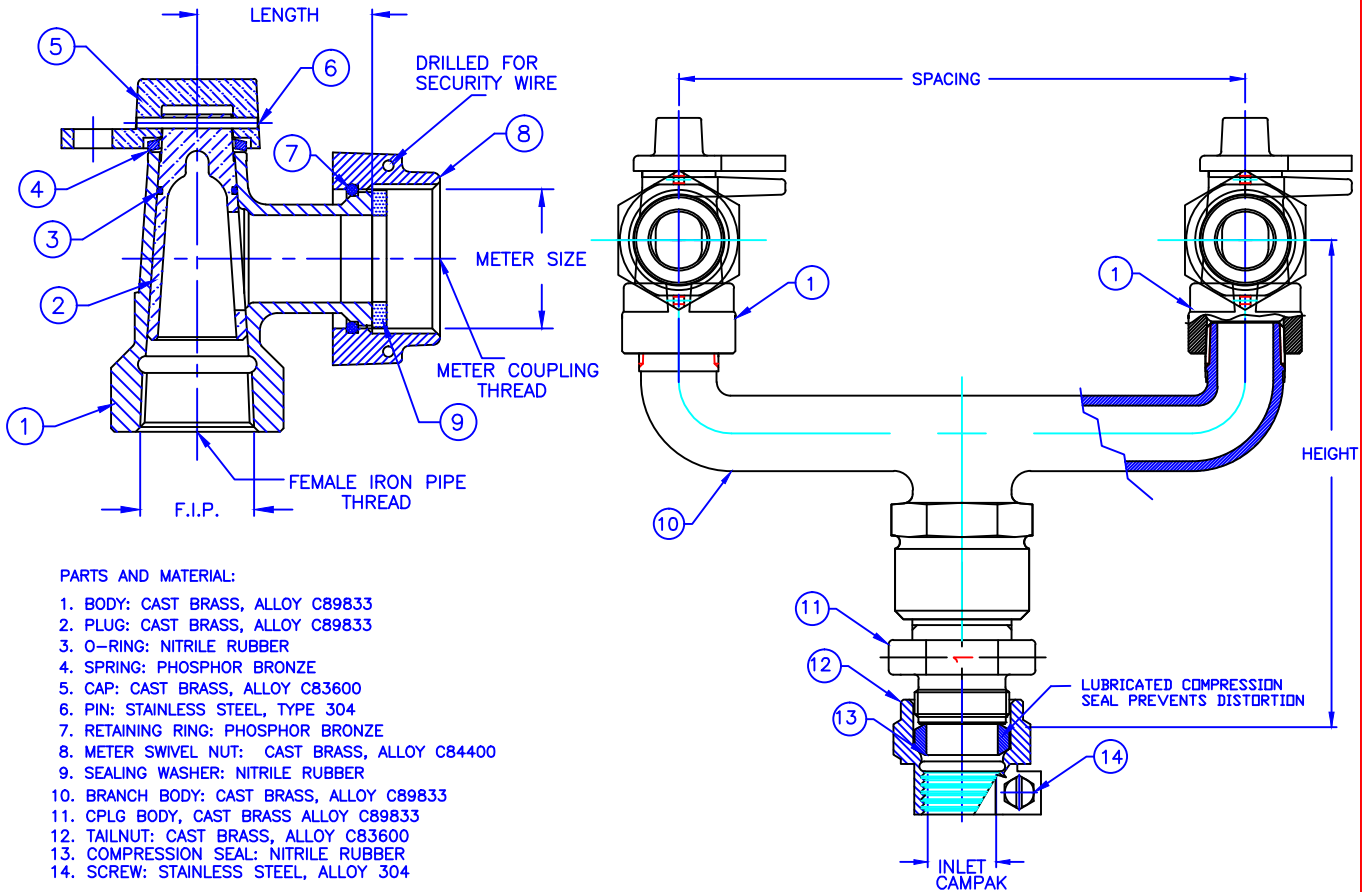
Cambridge Brass
P.O. Box 249
140 Orion Place
Cambridge, Ontario
Canada N1R 5V1
Tel: (519) 621-5520
Fax: (519) 621-8674
http://www.cambridgebrass.com



MODEL NO. 281NL

COMPRESSION x METER SWIVEL NUT

DOUBLE ANGLE PLUG VALVE



PARTS AND MATERIAL:

1. BODY: CAST BRASS, ALLOY C89833
2. PLUG: CAST BRASS, ALLOY C89833
3. O-RING: NITRILE RUBBER
4. SPRING: PHOSPHOR BRONZE
5. CAP: CAST BRASS, ALLOY C83600
6. PIN: STAINLESS STEEL, TYPE 304
7. RETAINING RING: PHOSPHOR BRONZE
8. METER SWIVEL NUT: CAST BRASS, ALLOY C84400
9. SEALING WASHER: NITRILE RUBBER
10. BRANCH BODY: CAST BRASS, ALLOY C89833
11. CPLG BODY, CAST BRASS ALLOY C89833
12. TAILNUT: CAST BRASS, ALLOY C83600
13. COMPRESSION SEAL: NITRILE RUBBER
14. SCREW: STAINLESS STEEL, ALLOY 304

FEATURES:

- ALL COMPONENTS CONFORM TO AWWA C800-05 (ASTM B-584, UNS NO C89833 FOR BRASS PARTS IN CONTACT WITH POTABLE WATER, AND ASTM B-62 AND B-584, UNS NO C83600 FOR ALL OTHER BRASS PARTS).
- CONFORMS TO ANSI/NSF 61-8
- CONFORMS TO ANSI/NSF 372 (COMPLIANT WITH US Safe Drinking Water Act. PL 111-380)
- BRANCH VALVES HAVE PADLOCK WINGS FOR LOCKING VALVE IN CLOSED POSITION.
- METER GASKETS SUPPLIED.
- METER THREADS CONFORM TO AWWA C700.
- 100 PSI WORKING PRESSURE.

Cambridge Brass considers the information in this submittal form to be correct at the time of publication. Item and option availability, including specifications, are subject to change without notice.

| CATALOG NO. | INLET SIZE | OUTLET METER SIZE | SPACING | HEIGHT | LENGTH | APPROX. WT. LBS. |
|----------------|------------|-------------------|---------|--------|--------|------------------|
| 281NL-B3T37500 | 3/4" | 5/8"x3/4" OR 3/4" | 7.50" | 6.40" | 1.70" | |
| 281NL-B4T37500 | 1" | 5/8"x3/4" OR 3/4" | 7.50" | 6.50" | 1.70" | |

Submitted by: