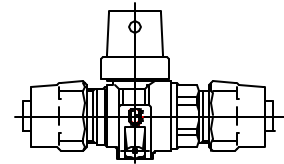


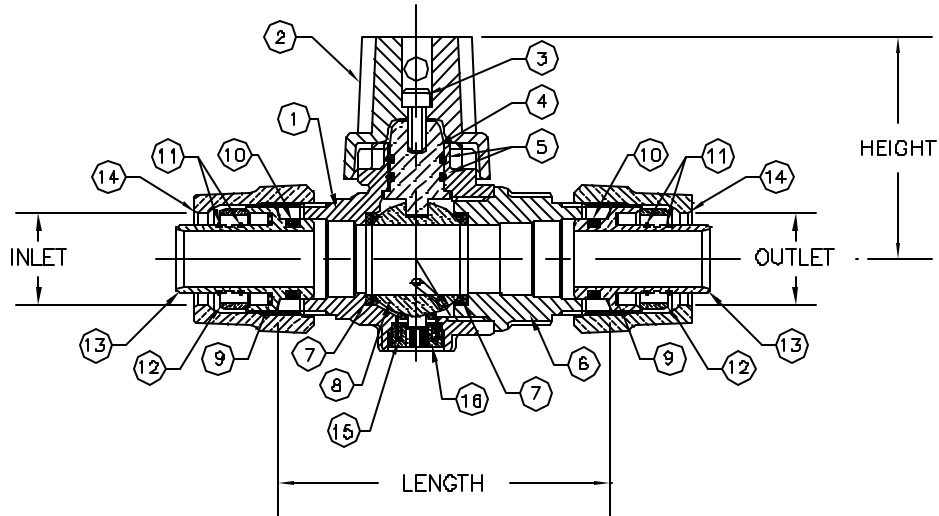
Cambridge Brass
P.O. Box 249
140 Orion Place
Cambridge, Ontario
Canada N1R 5V1
Tel: (519) 621-5520
Fax: (519) 621-8674
http://www.cambridgebrass.com



MODEL NO. 253

KITEC x KITEC

CURB STOP – BALL STYLE
DRAINING
OPEN RIGHT



- PARTS AND MATERIAL:**
1. VALVE BODY: CAST BRASS, ALLOY C83600
 2. CAP: CAST BRASS, ALLOY C83600
 3. CAP SCREW: STAINLESS STEEL, TYPE 304
 4. STEM: STAINLESS STEEL, TYPE 303
 5. O-RING: NITRILE RUBBER
 6. ENDBODY: CAST BRASS, ALLOY C83600
 7. SEATS: TEFLON
 8. BALL: CAST BRASS, ALLOY C89B33
 9. INSULATOR: POLYETHYLENE
 10. O-RING: NITRILE RUBBER
 11. O-RING: NITRILE RUBBER
 12. GRIPPER: BRASS, ALLOY C51000
 13. INSERT: CAST BRASS, ALLOY C89B33
 14. KITEC NUT: CAST BRASS, ALLOY C83600
 15. DRAIN SEAL: NITRILE RUBBER
 16. DRAIN PLUG: COPPER, ALLOY C36000

- FEATURES:**
- MANUFACTURED IN COMPLIANCE WITH AWWA STANDARD C800 (ASTM B-62 AND ASTM B-584, UNS NO C83600-85-5-5-5).
 - CSA CLASSIFIED TO ANSI/NSF STANDARD 61-8.
 - BODY DESIGN INCLUDES HEAVY WRENCH FLATS FOR PROPER INSTALLTION.
 - ENCAPSULATED LUGS UNDER CAP PROVIDE 90 DEGREE OPEN TO CLOSE OPERATION.
 - HOLE FOR ATTACHING CURB BOX ROD OR HANDLE IS PROVIDED IN CAP.
 - BLOWOUT PROOF STEM DESIGN.
 - 300 PSI WORKING PRESSURE.
 - VALVES ARE DIRECTIONAL (FLOW DIRECTION ARROWS PROVIDED ON BODY).

ORDERING INFORMATION:
HANDLE = ADD "H" TO END OF CATALOG NO.

Cambridge Brass considers the information in this submittal form to be correct at the time of publication. Item and option availability, including specifications, are subject to change without notice.

| VALVE SIZE | CATALOG NO. | INLET KITEC | OUTLET KITEC | LENGTH | HEIGHT | APPROX. WT. LBS. |
|------------|-------------|-------------|--------------|--------|--------|------------------|
| 3/4" | 253-K3K3 | 3/4" | 3/4" | 3.75" | 2.50" | 2.7 |
| 1" | 253-K4K4 | 1" | 1" | 4.42" | 2.68" | 4.2 |

Submitted by: