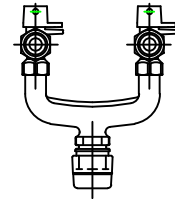


Cambridge Brass  
P.O. Box 249  
140 Orion Place  
Cambridge, Ontario  
Canada N1R 5V1  
Tel: (519) 621-5520  
Fax: (519) 621-8674  
http://www.cambridgebrass.com

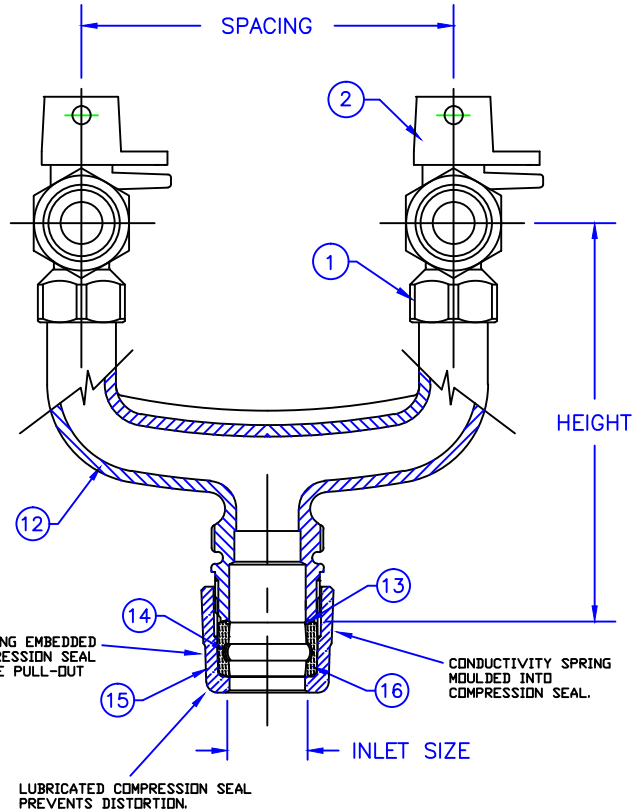
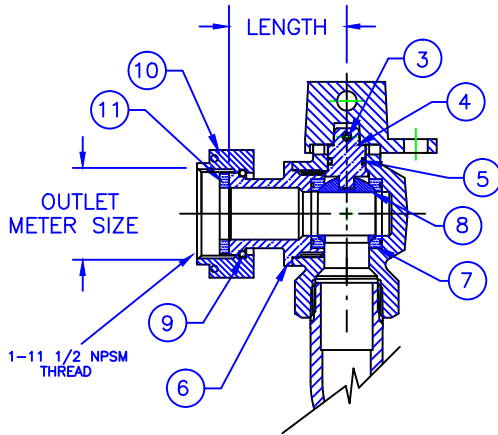


MODEL NO. 234NL

CB COMPRESSION x METER SWIVEL NUT

DOUBLE ANGLE CURB STOP  
REDUCED PORT

FOR COPPER OR PLASTIC TUBING (CTS) INLET BY TWO METER SWIVEL NUT OUTLETS



- PARTS AND MATERIAL:**
1. VALVE BODY: CAST BRASS, ALLOY C83600
  2. LOCKING CAP: CAST BRASS, ALLOY C84400
  3. CAP PIN: STAINLESS STEEL, TYPE 420
  4. STEM: COPPER, ALLOY C83600
  5. O-RING: NITRILE RUBBER
  6. ENDBODY: CAST BRASS, ALLOY C83600
  7. SEATS: NITRILE RUBBER
  8. BALL: COPPER, ALLOY C83600, TEFLON COATED
  9. RETAINER RING: PHOSFOR BRONZE WIRE
  10. METER SWIVEL NUT: CAST BRASS, ALLOY C84400
  11. SEALING WASHER: NEOPRENE RUBBER
  12. BRANCH BODY: CAST BRASS, ALLOY C83600
  13. CONDUCTOR SPRING: BRASS
  14. GRIPPER: STAINLESS STEEL, ALLOY 302
  15. COMPRESSION NUT: CAST BRASS, ALLOY C83600
  16. COMPRESSION SEAL: EPDM

GRIPPER RING EMBEDDED INTO COMPRESSION SEAL TO PROVIDE PULL-OUT RESTRAINT.

CONDUCTIVITY SPRING MOLDED INTO COMPRESSION SEAL.

LUBRICATED COMPRESSION SEAL PREVENTS DISTORTION.

**FEATURES:**

- MANUFACTURED IN COMPLIANCE WITH AWWA STANDARD C800 (ASTM B-584 UNS NO C89833 FOR BRASS PARTS IN CONTACT WITH POTABLE WATER, AND ASTM B-62 AND B-584 UNS NO C83600 FOR ALL OTHER BRASS PARTS).
- CONFORMS TO ANSI/NSF 61-8
- CONFORMS TO ANSI/NSF 372 (COMPLIANT WITH US Safe Drinking Water Act. PL 111-380)
- BRANCH VALVES HAVE PADLOCK WINGS FOR LOCKING VALVE IN CLOSED POSITION.
- ENCAPSULATED LUGS UNDER CAP PROVIDE 90 DEGREE OPEN TO CLOSE OPERATION.
- HOLE FOR ATTACHING CURB BOX ROD OR HANDLE IS PROVIDED IN CAP.
- BLOWOUT PROOF STEM DESIGN.
- 200 PSI WORKING PRESSURE.
- METER GASKETS SUPPLIED.
- METER THREADS CONFORM TO AWWA C700.

**ORDERING INFORMATION:**

FULL 360 ROTATION = ADD "R" TO END OF CATALOG No.

Cambridge Brass considers the information in this submittal form to be correct at the time of publication. Item and option availability, including specifications, are subject to change without notice.

CATALOG NO.	INLET CB COMP.	OUTLET METER SIZE	SPACING	HEIGHT	LENGTH	APPROX. WT. LBS.
234NL-H4T3	1"	5/8"x3/4" OR 3/4"	5.62"	6.12"	1.70"	6.4
234NL-H4T37500	1"	5/8"x3/4" OR 3/4"	7.50"	5.06"	1.70"	

Submitted by: